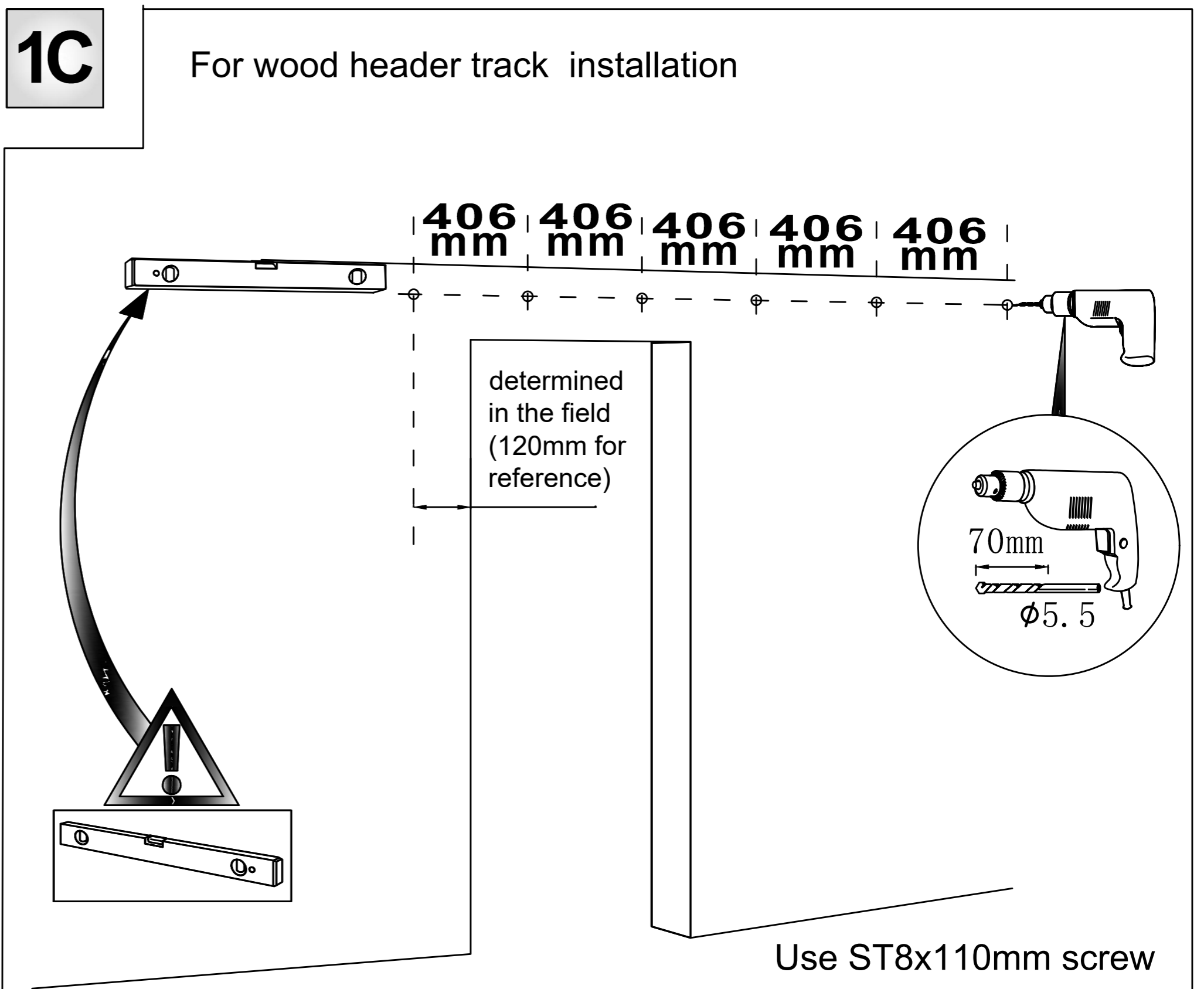
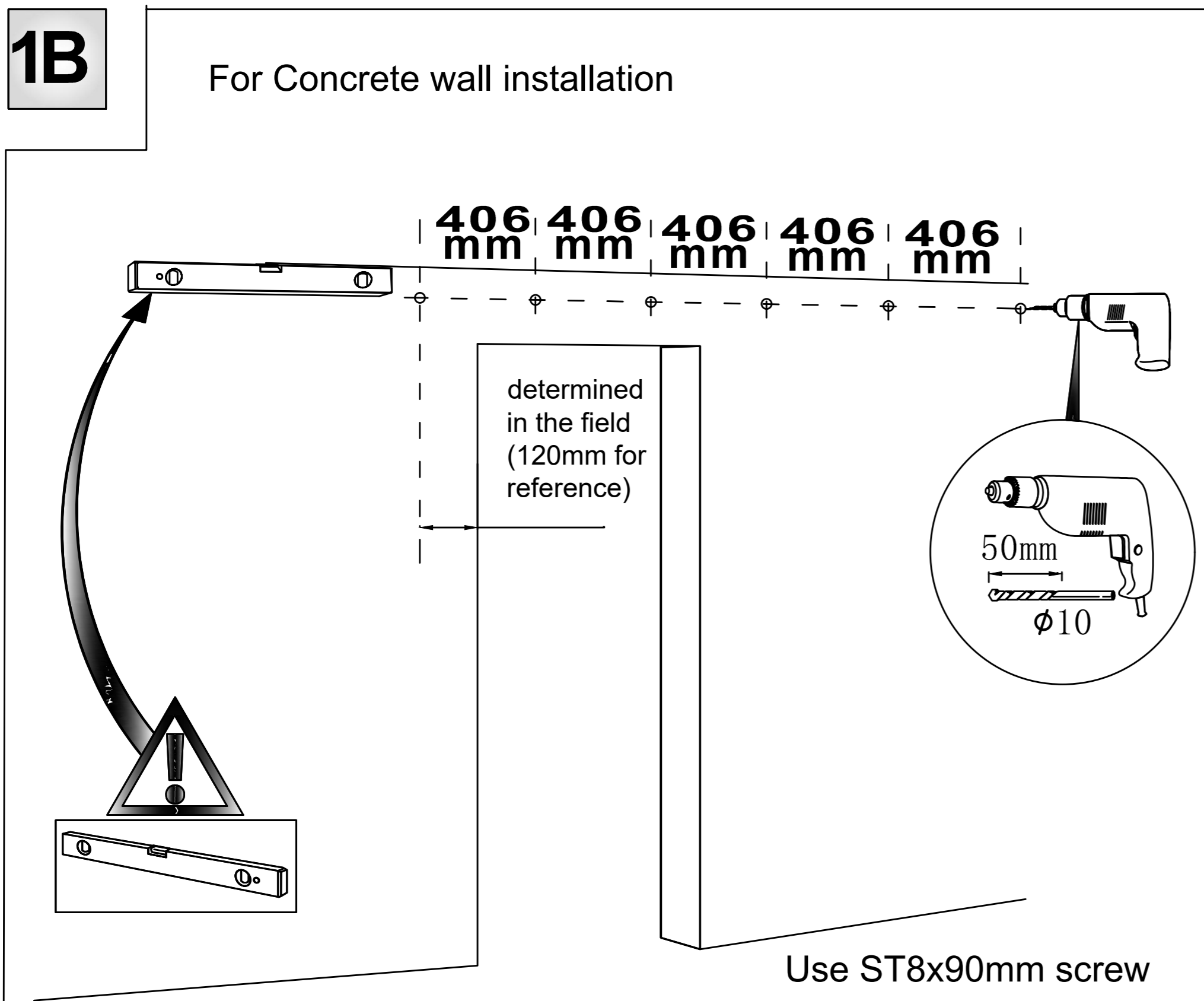
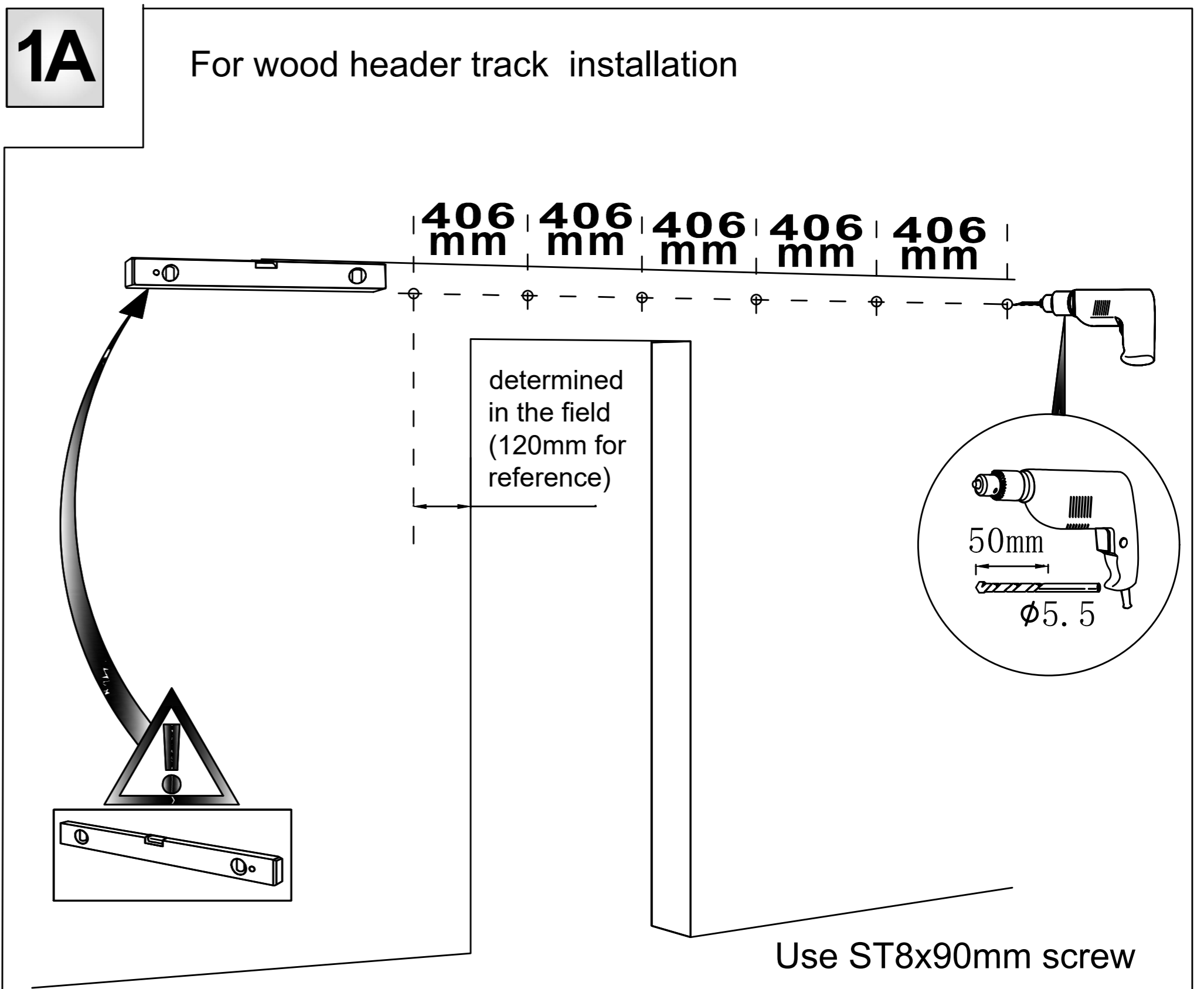
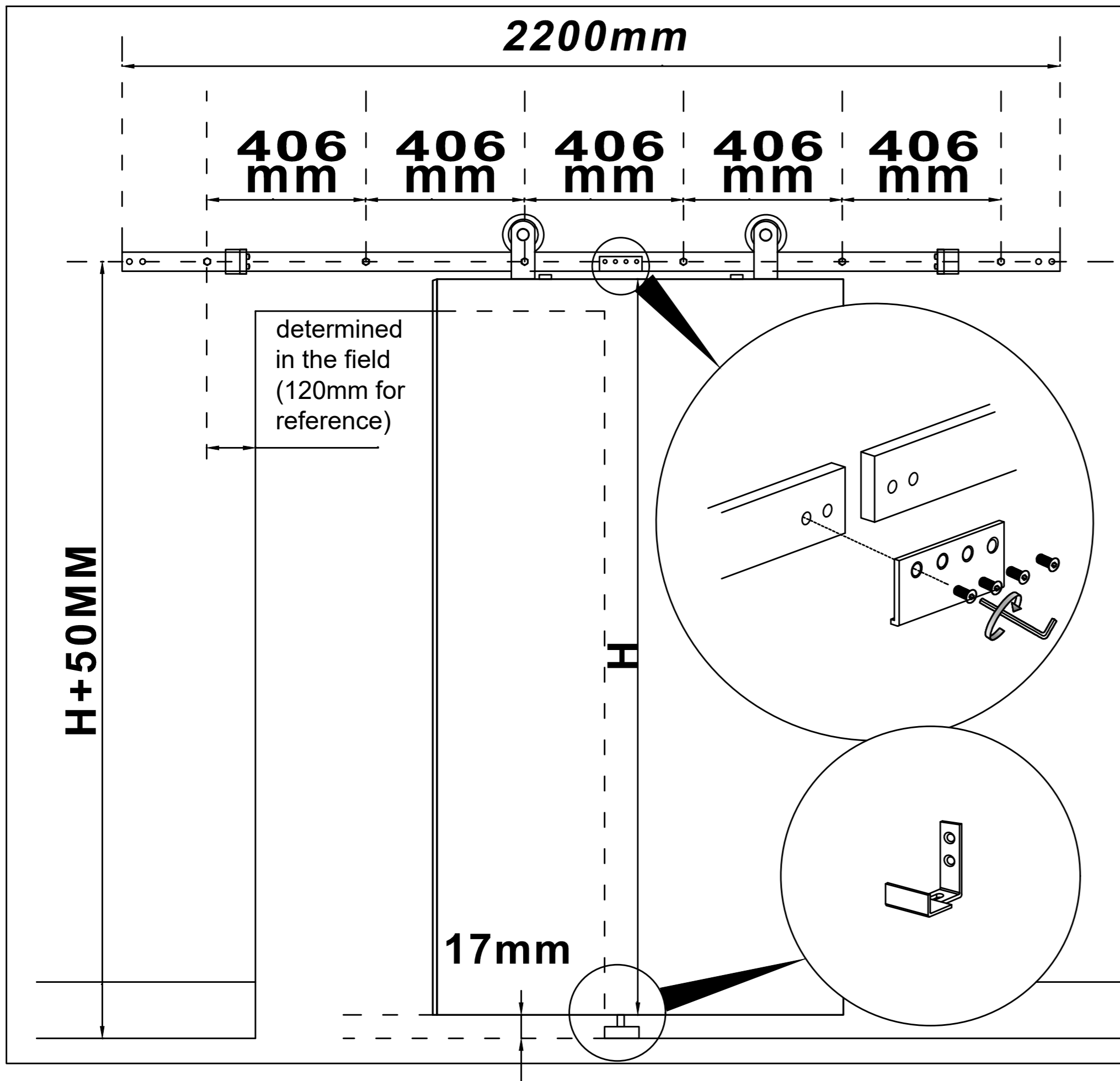
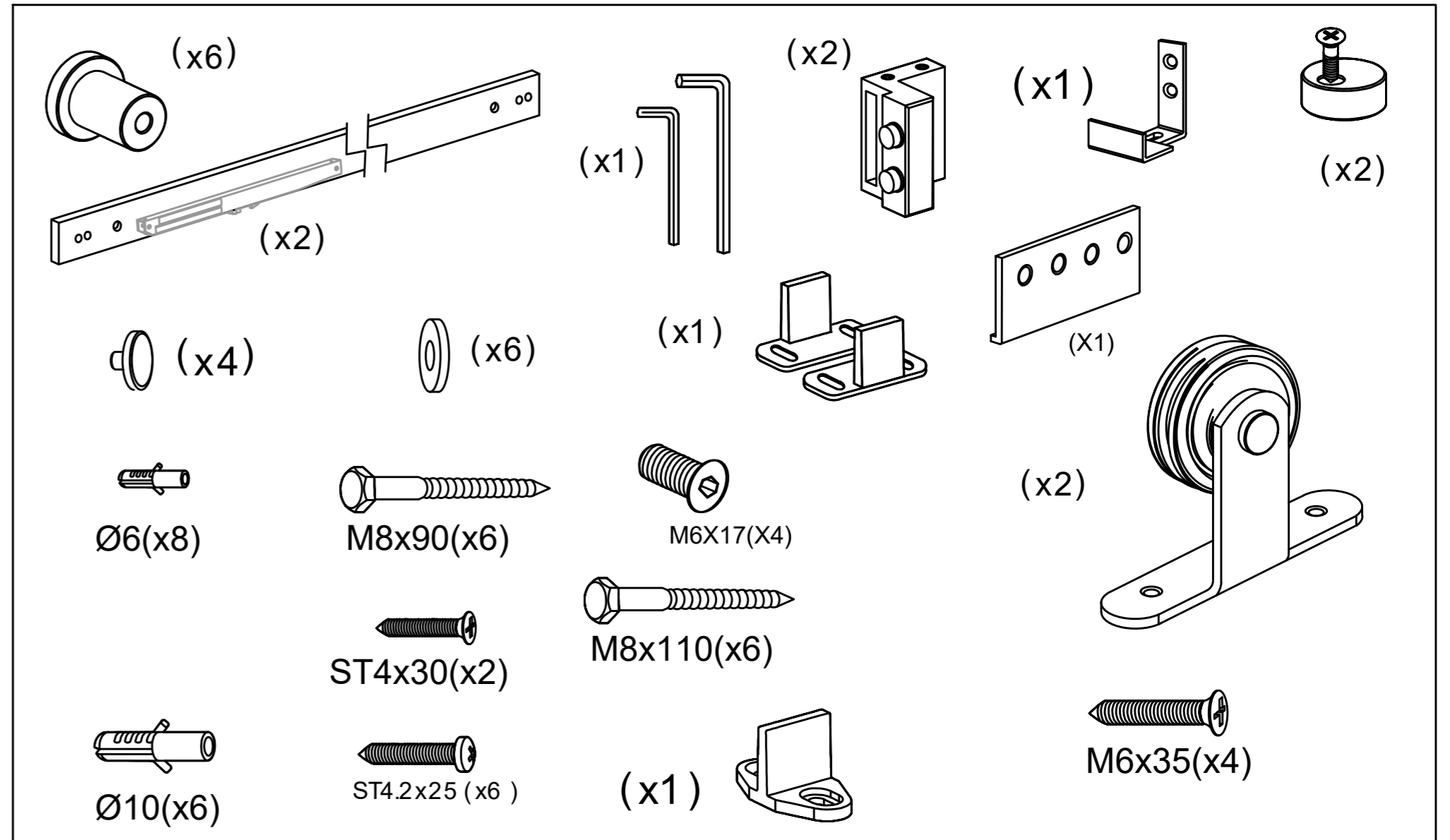
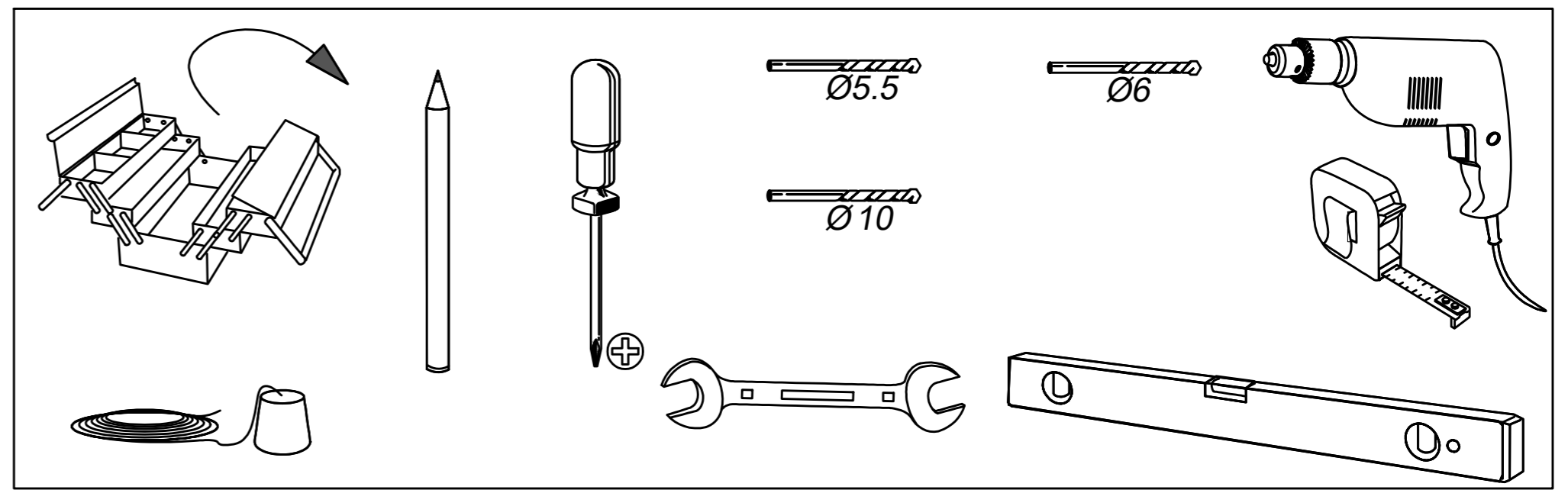
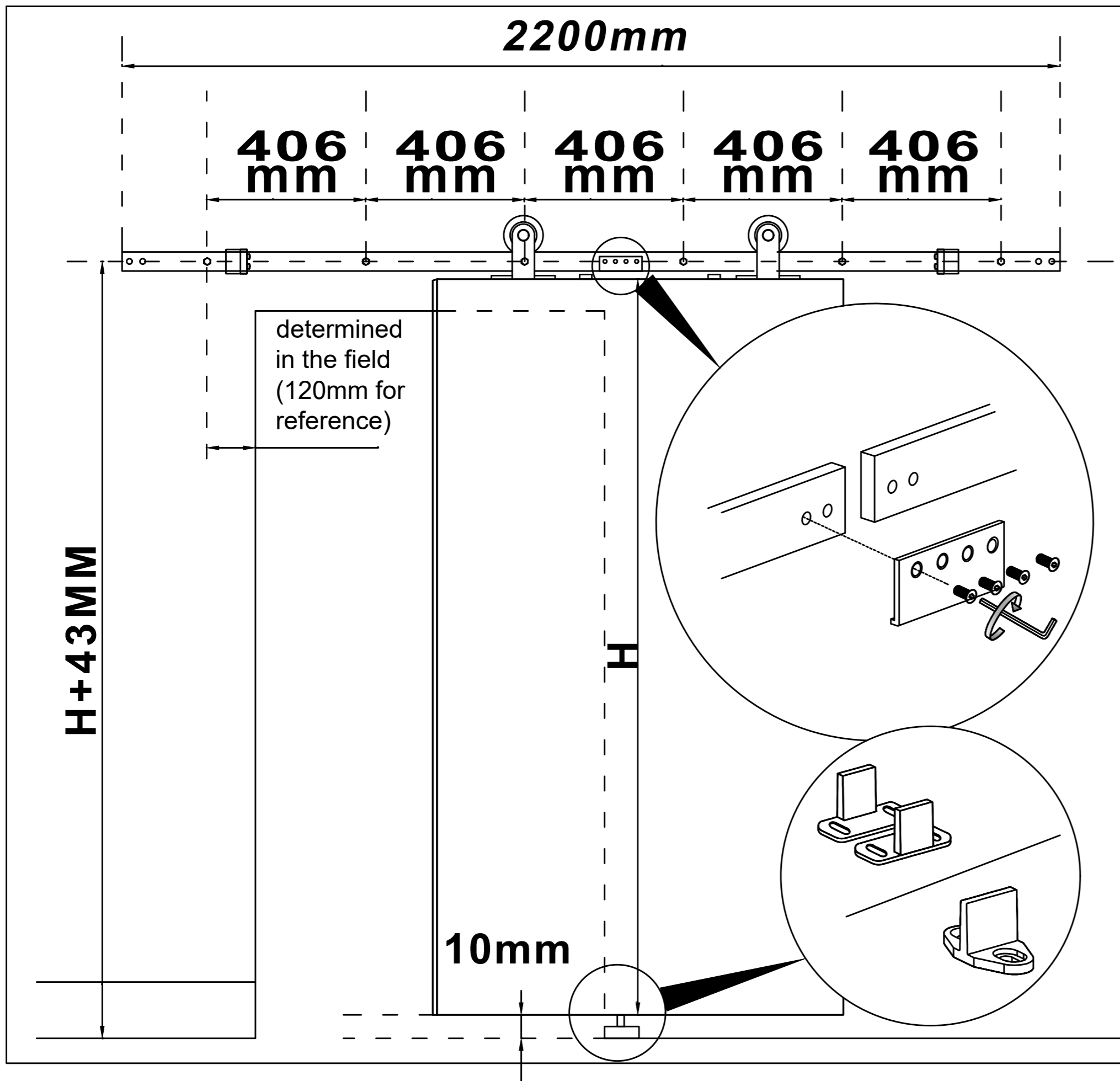


Installation Manual



1D

For Concrete wall installation

406 mm 406 mm 406 mm 406 mm 406 mm

determined in the field (120mm for reference)

70mm
φ10

Use ST8x110mm screw

2A

For wood header track installation

(X6)

ST8x90mm

2B

For Concrete wall installation

(X6)

ST8x90mm

2C

For wood header track installation

(X6)

ST8x110mm

2D

For Concrete wall installation

(X6)

ST8x110mm

3

(X2)

93mm

