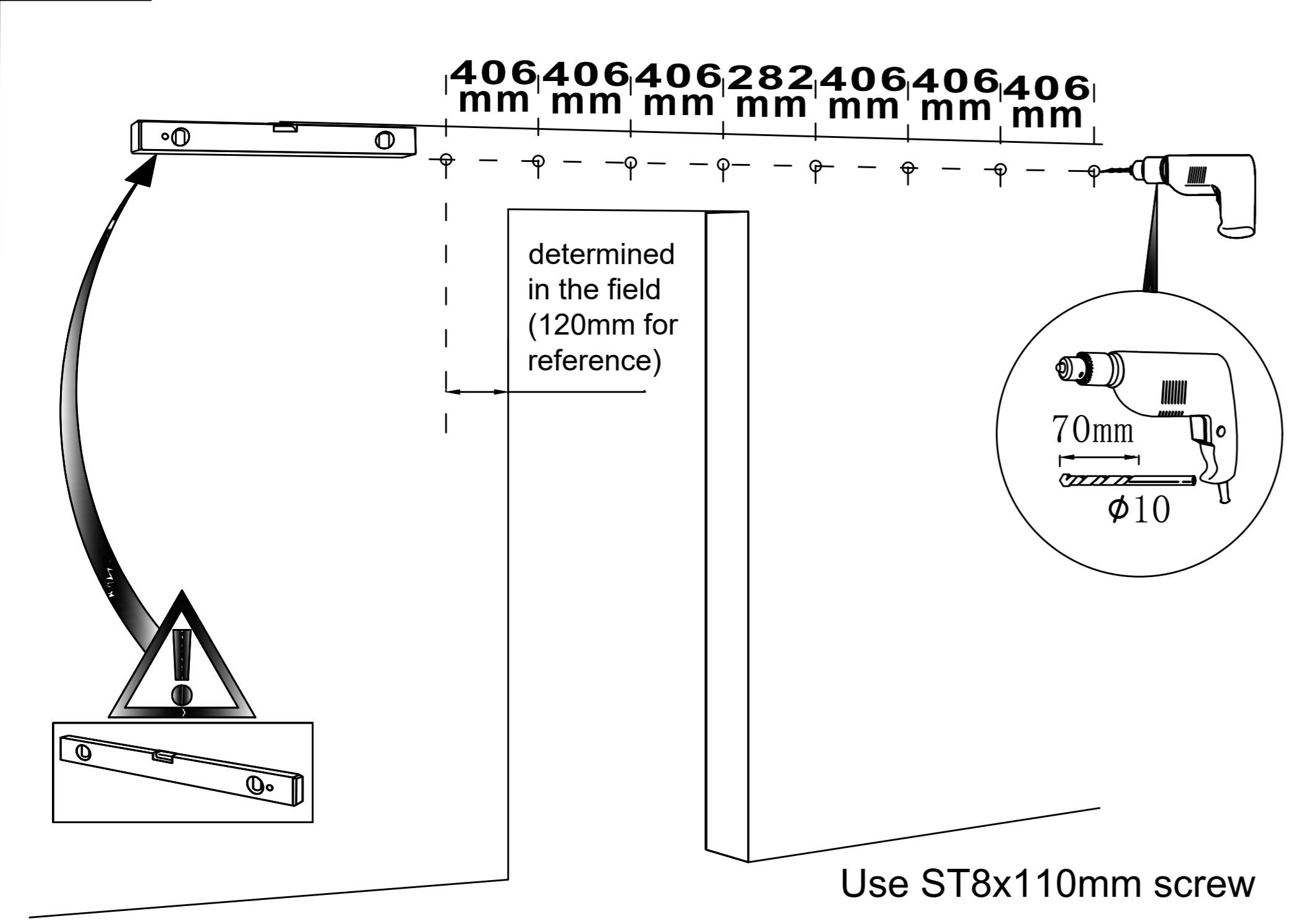


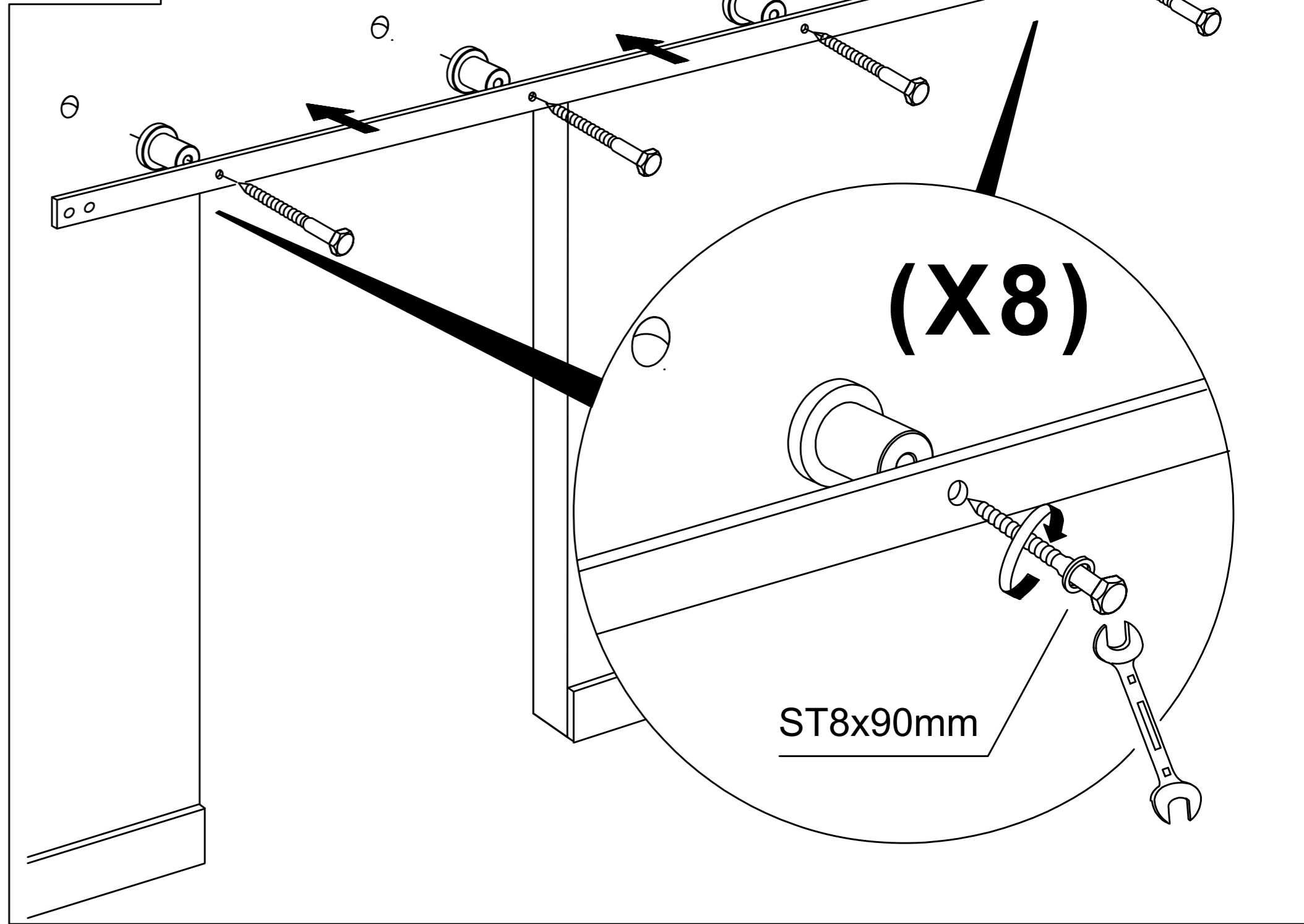
1D

For Concrete wall installation



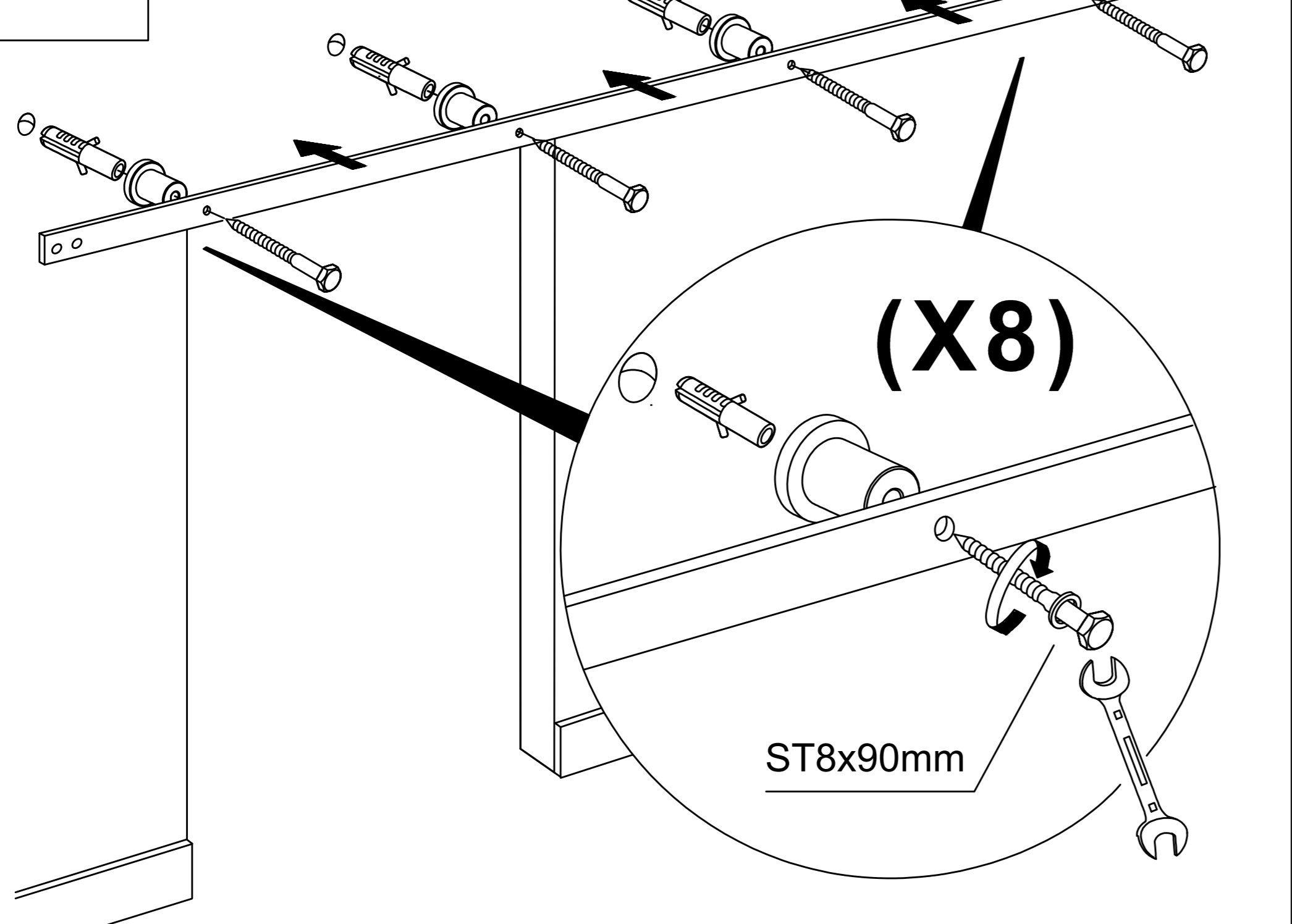
2A

For wood header track installation



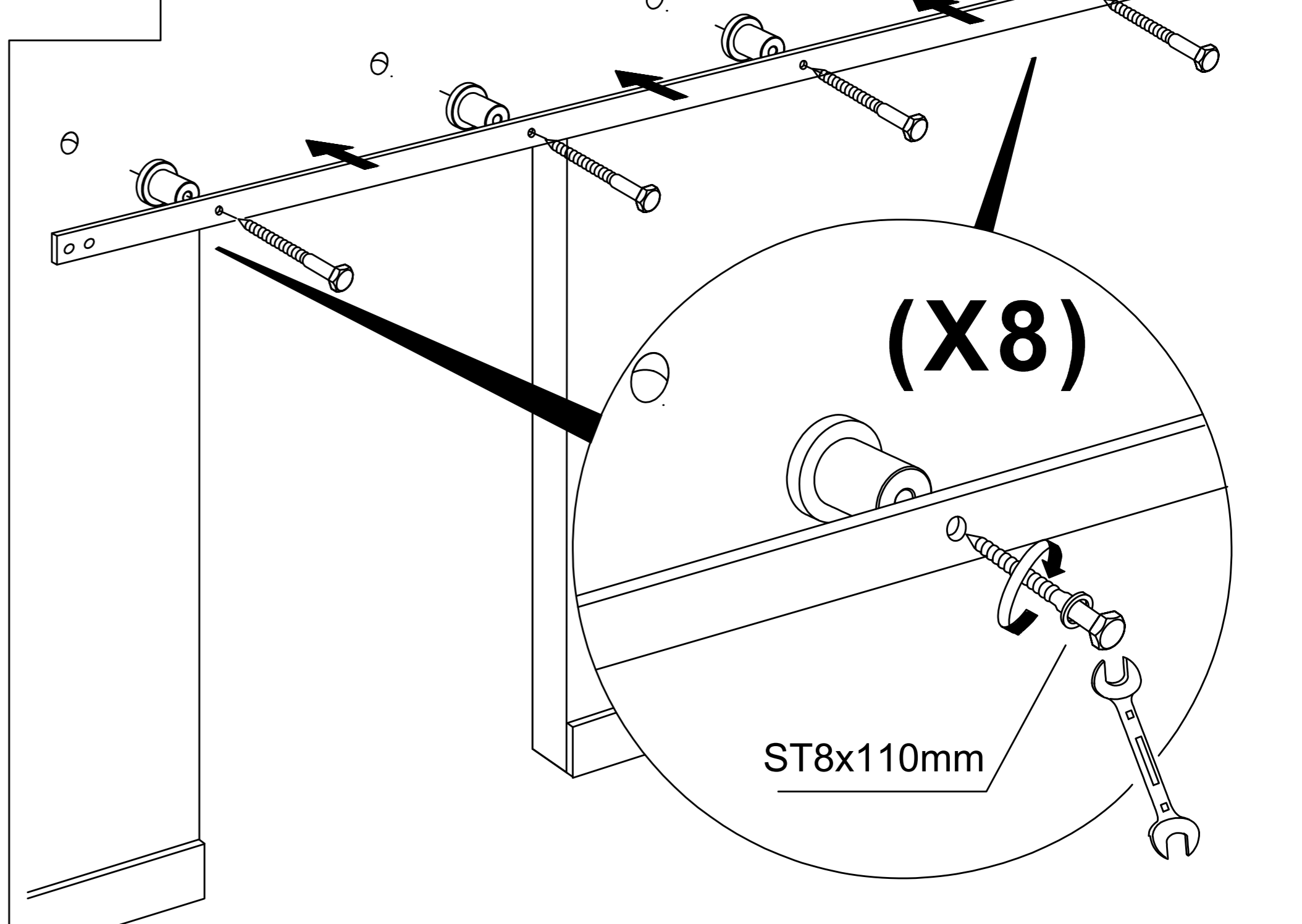
2B

For Concrete wall installation



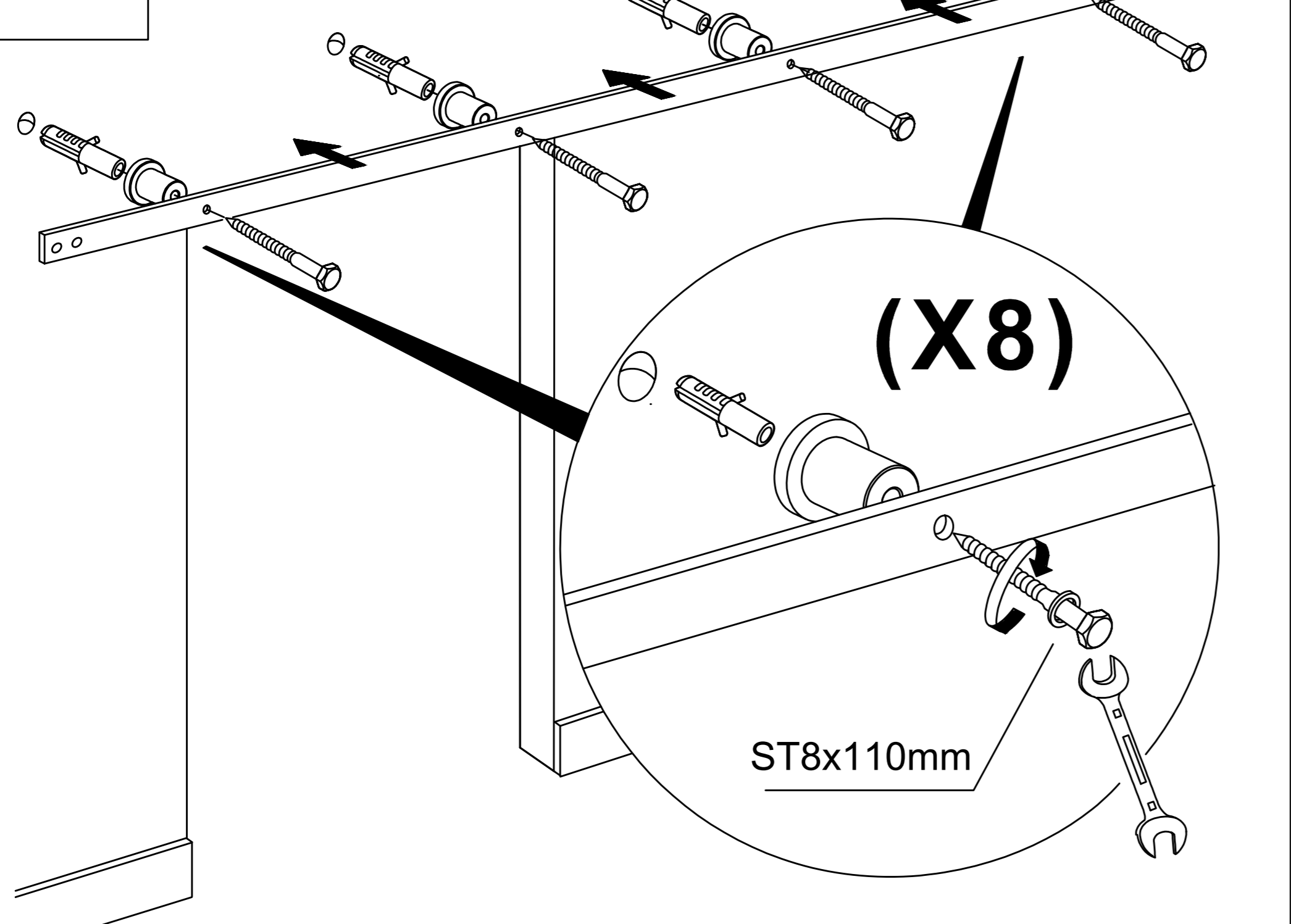
2C

For wood header track installation



2D

For Concrete wall installation



3

(X2)

