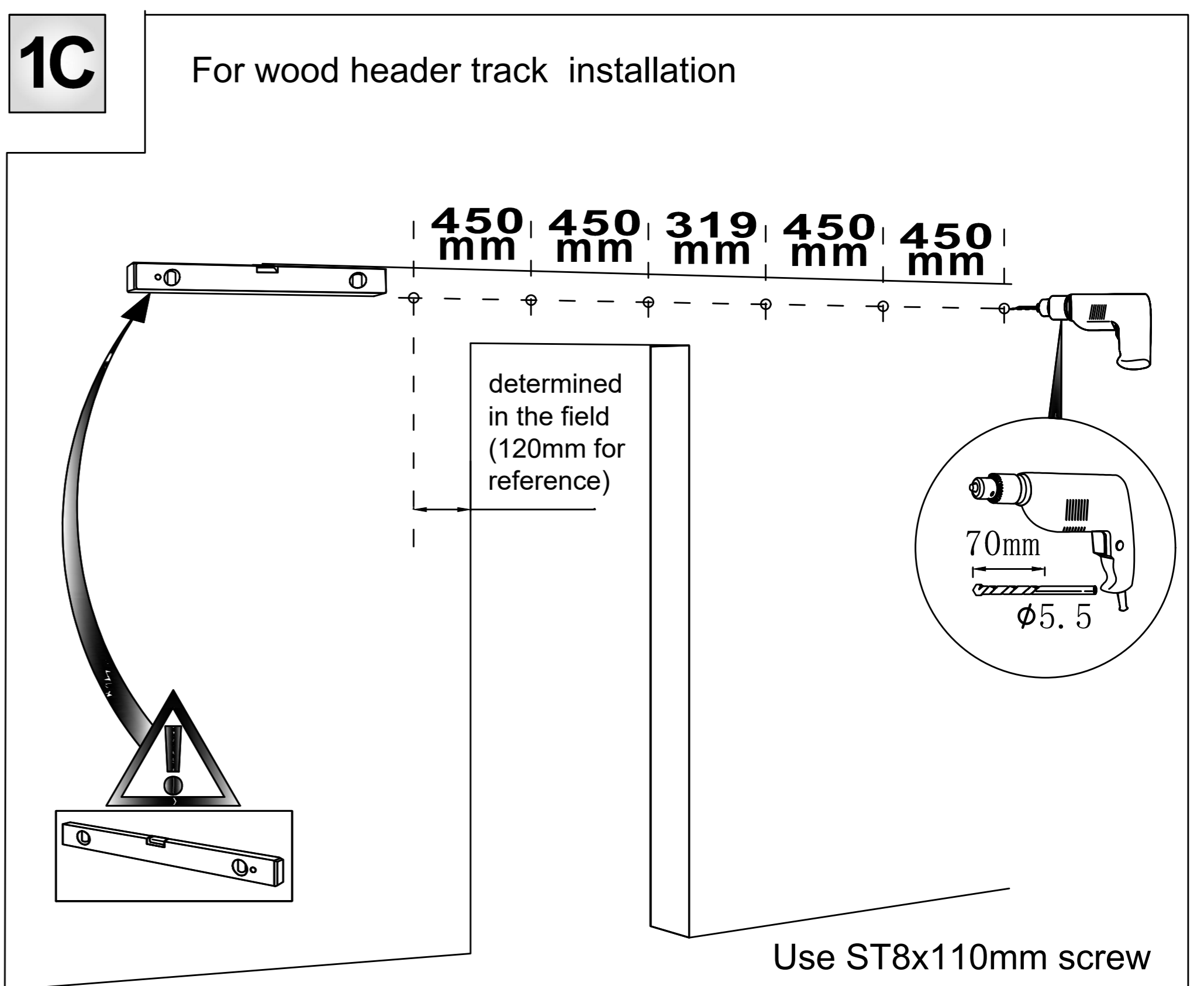
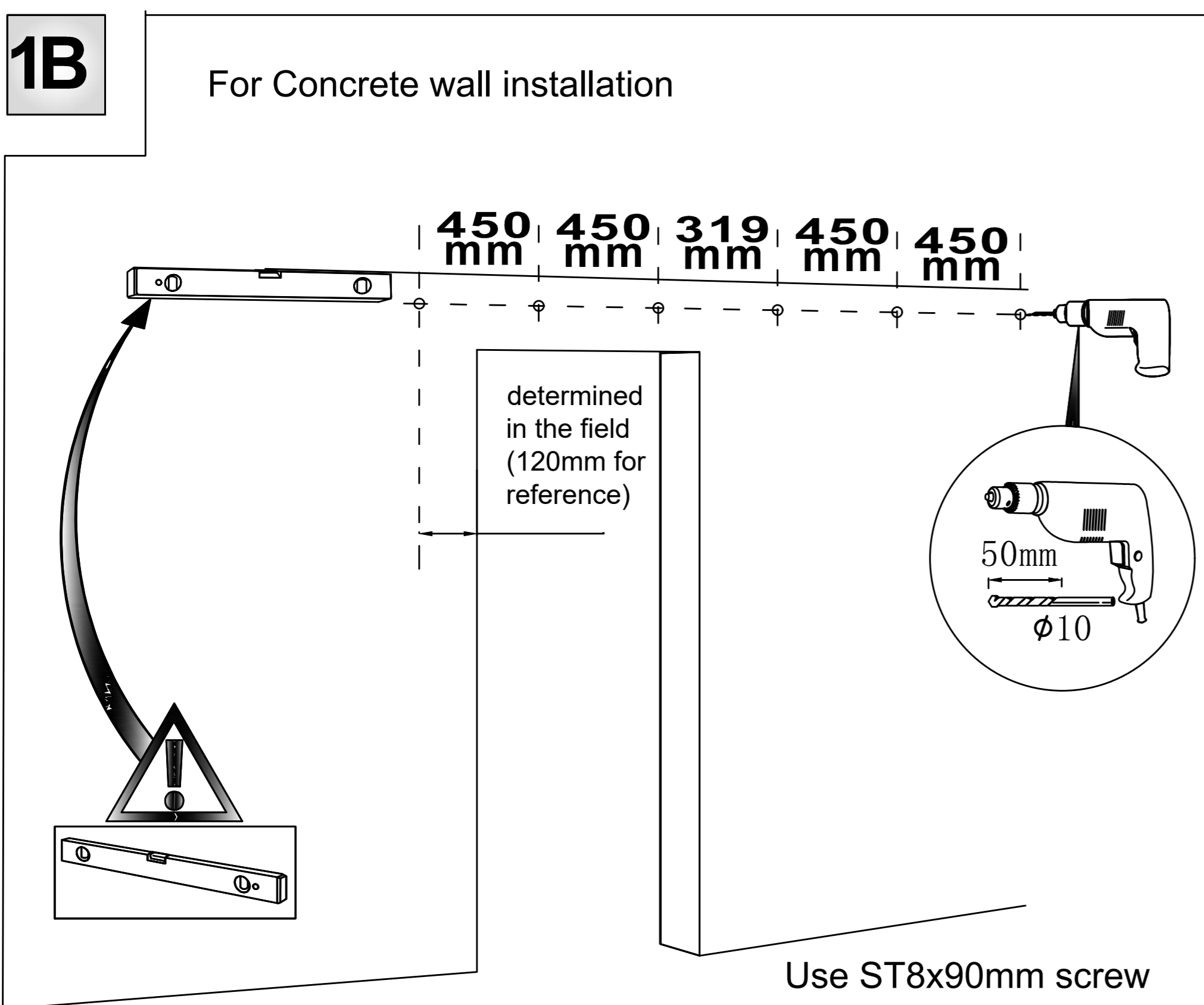
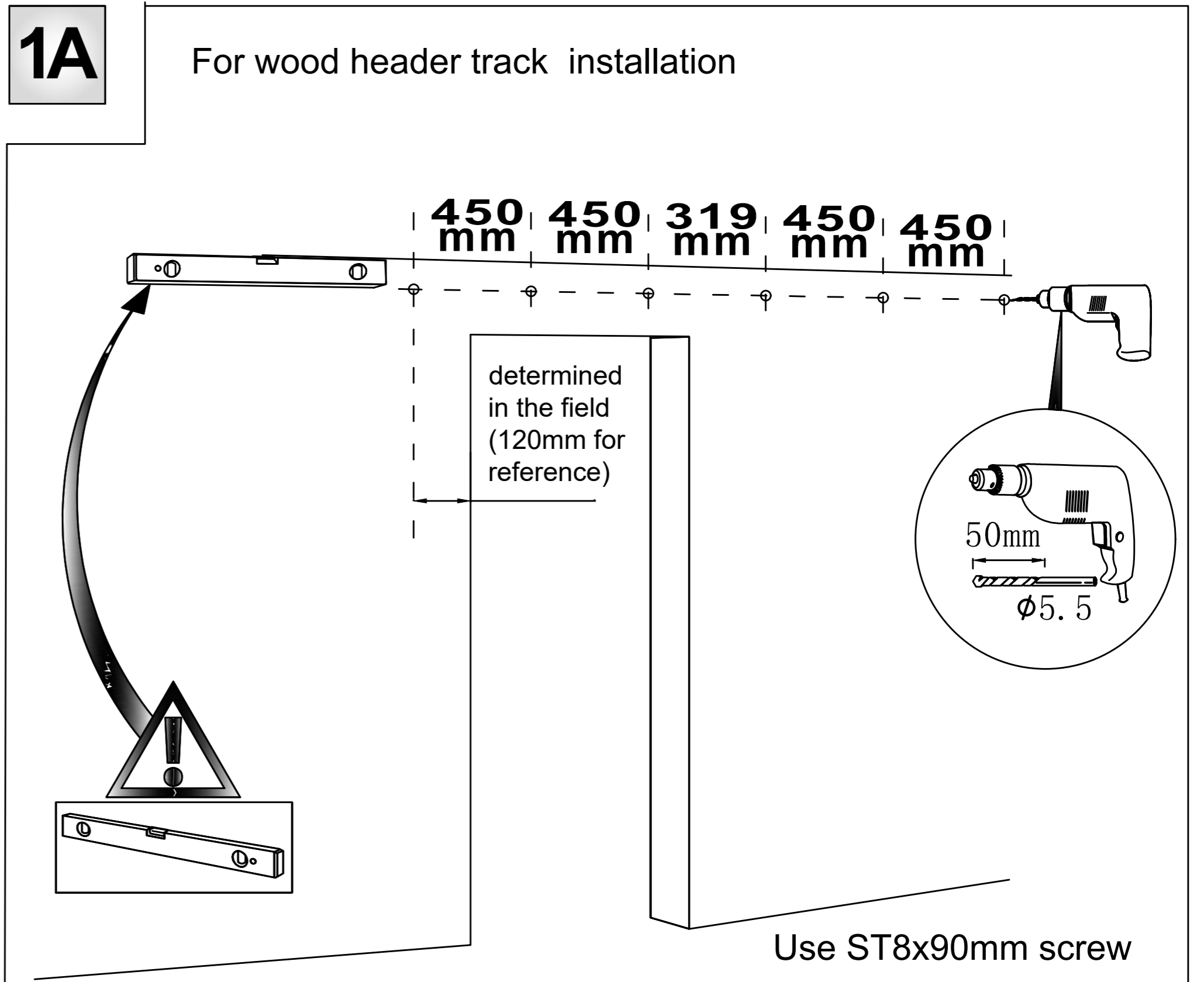
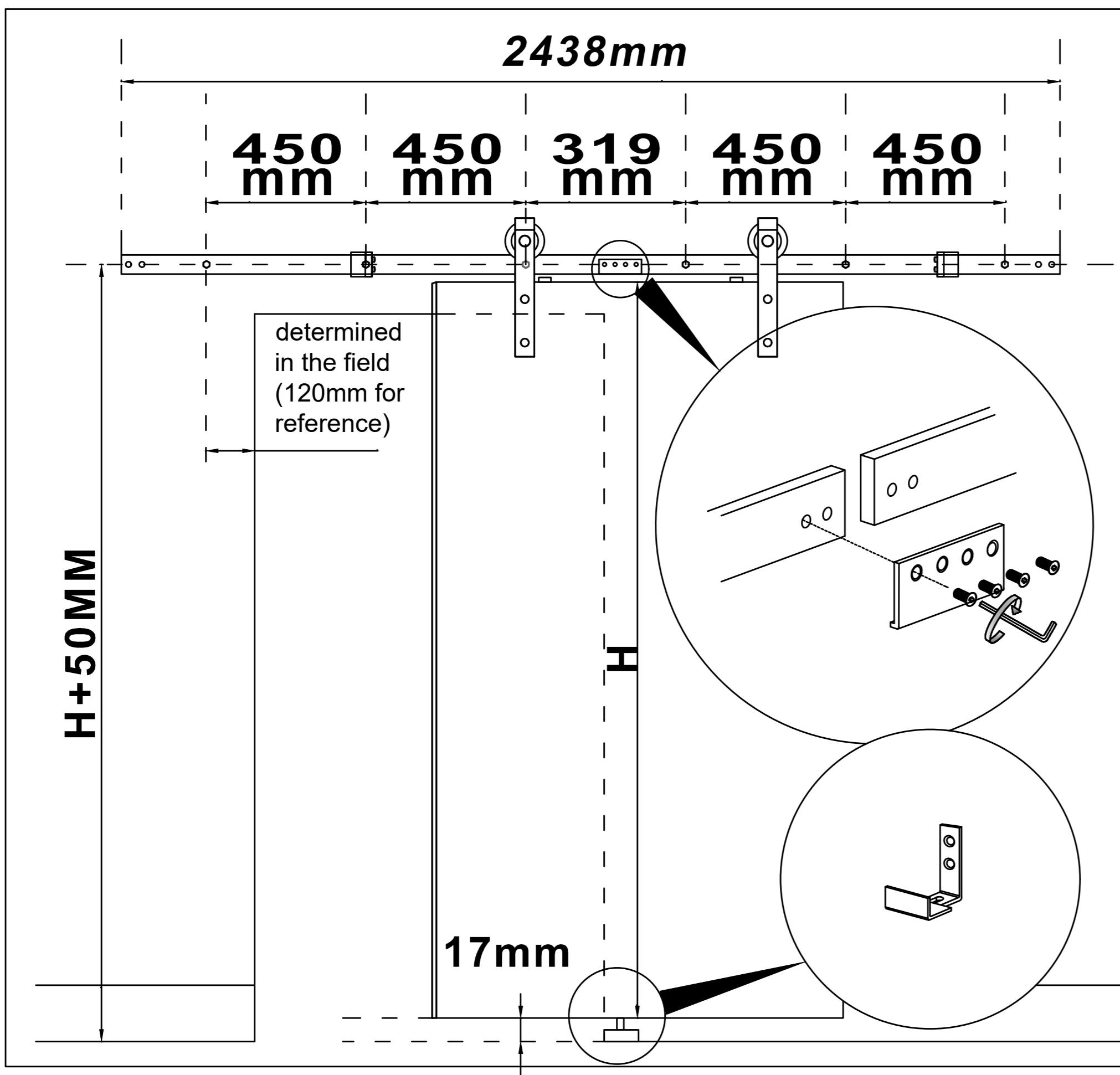
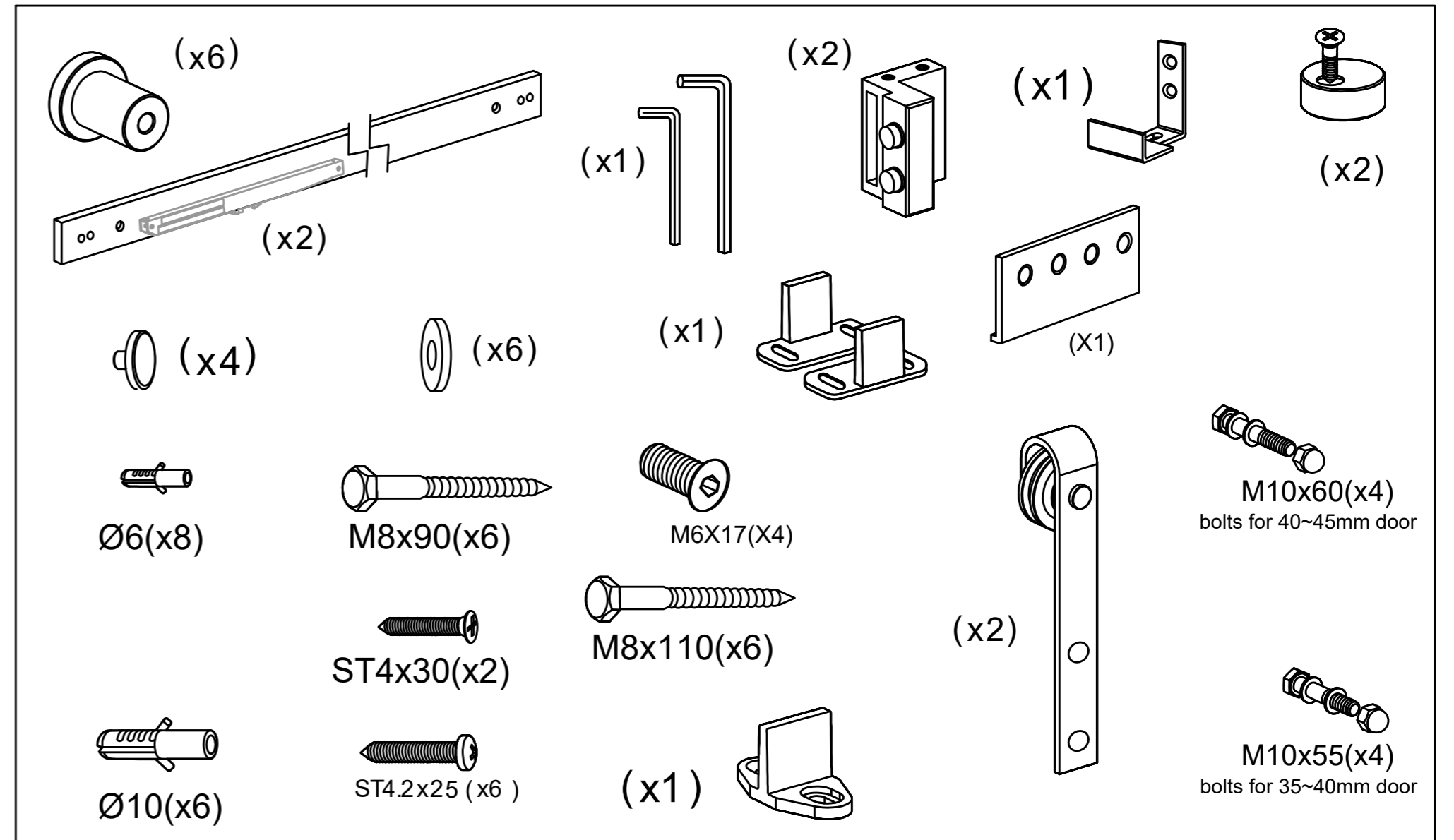
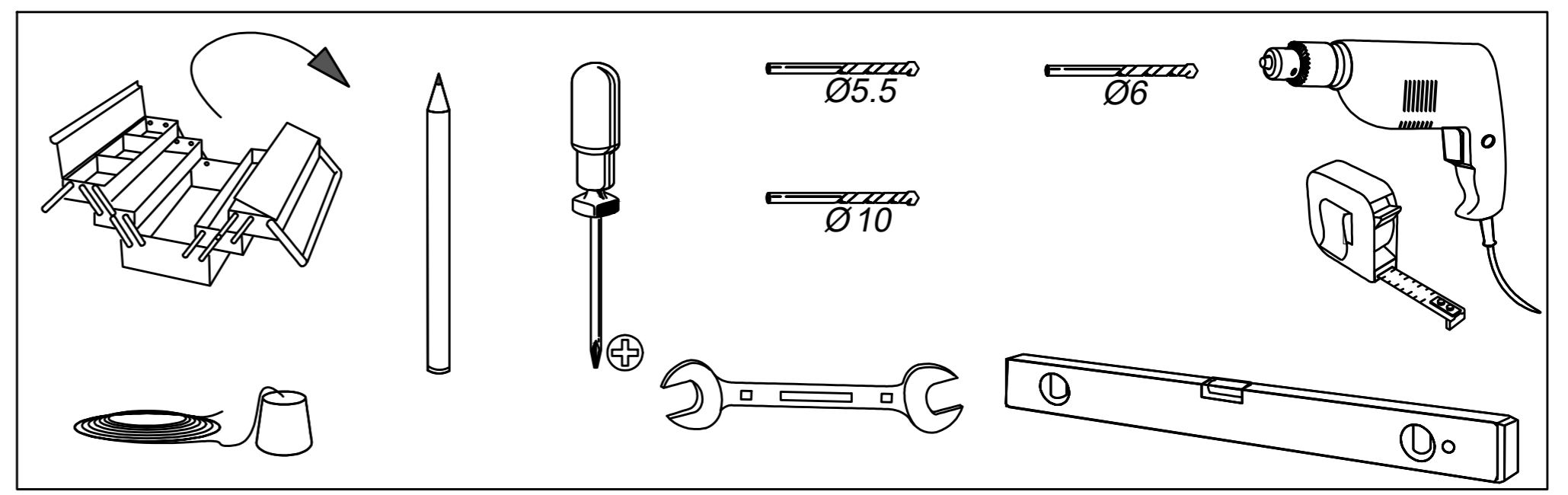
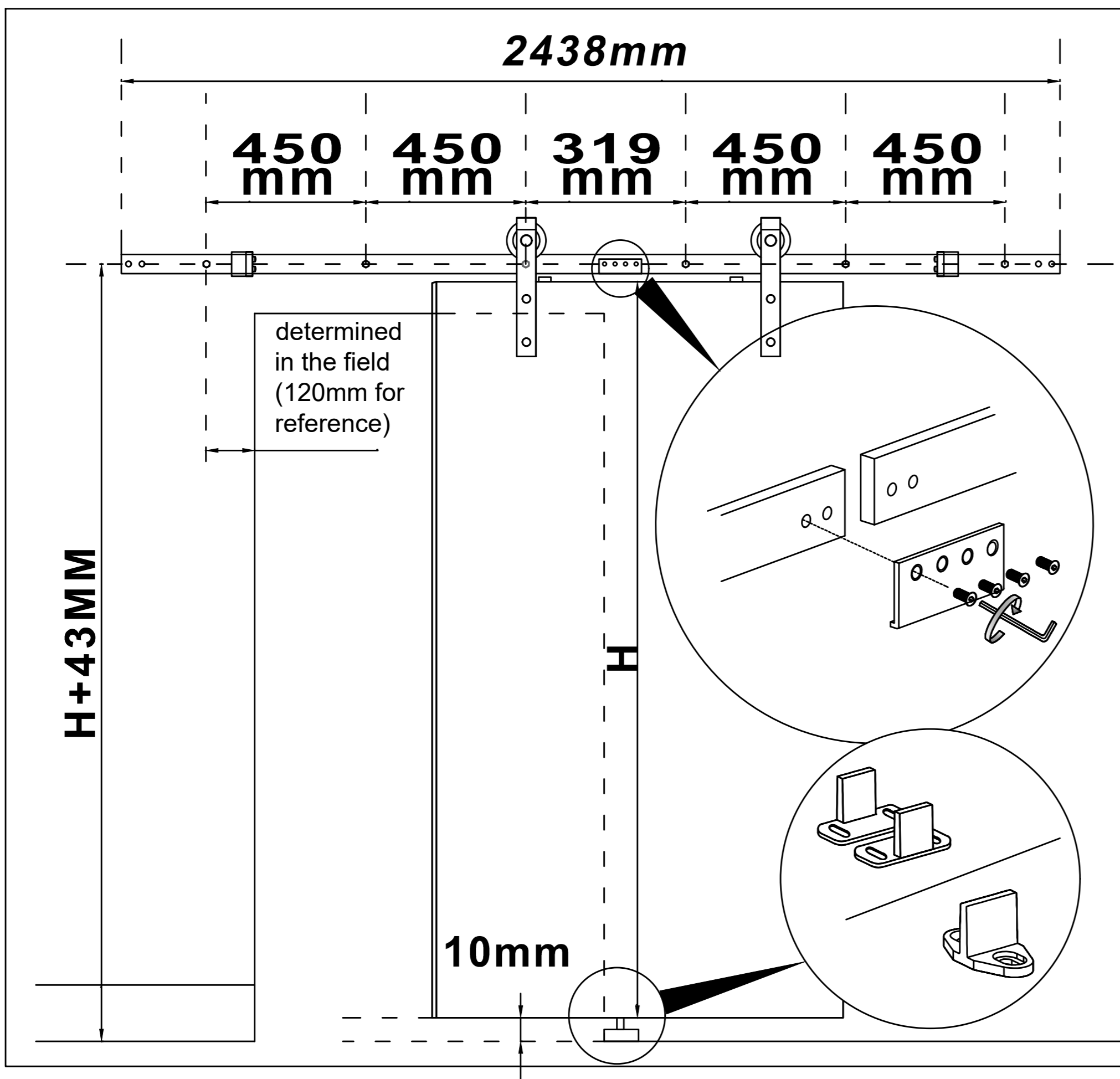
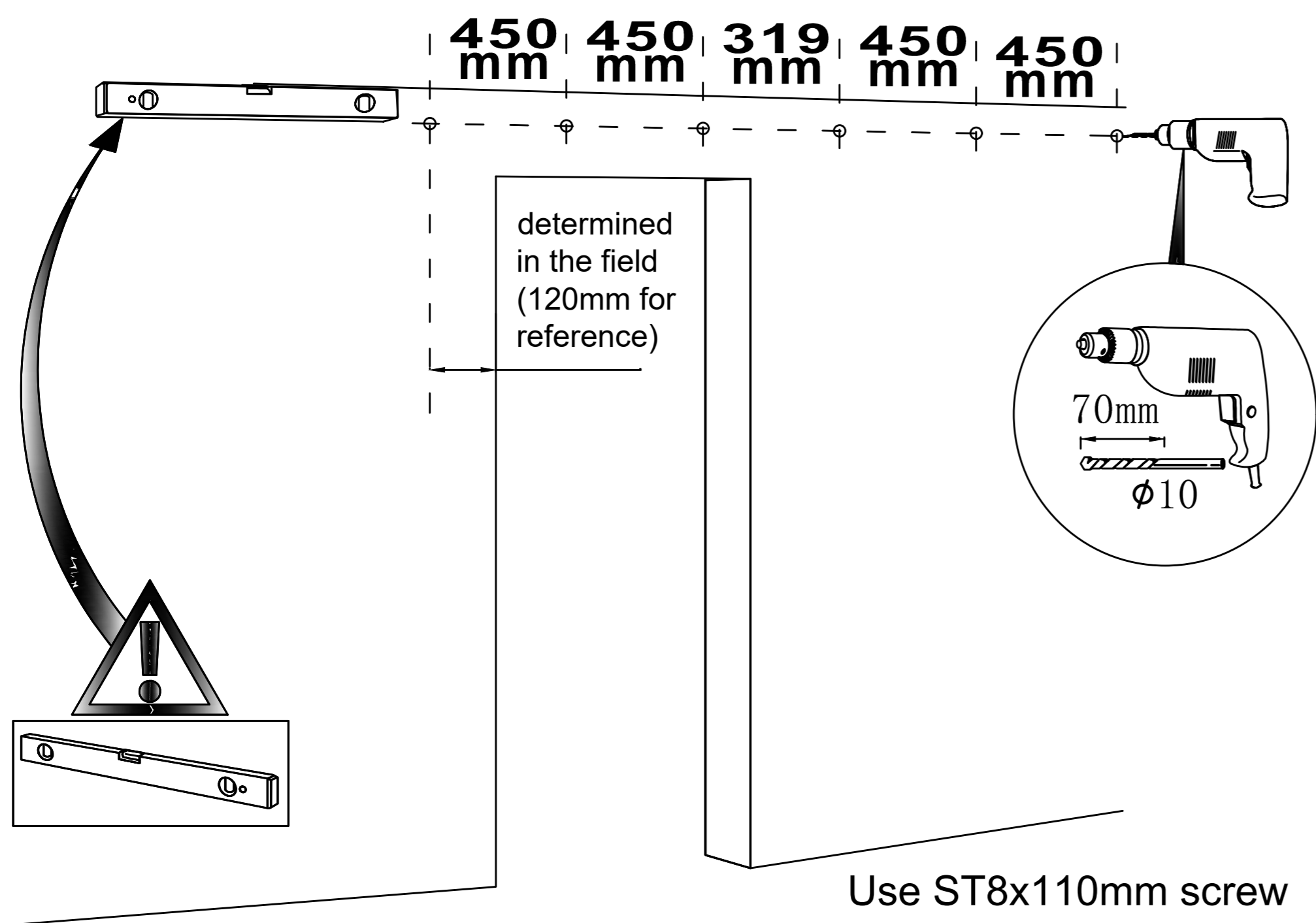


# Installation Manual

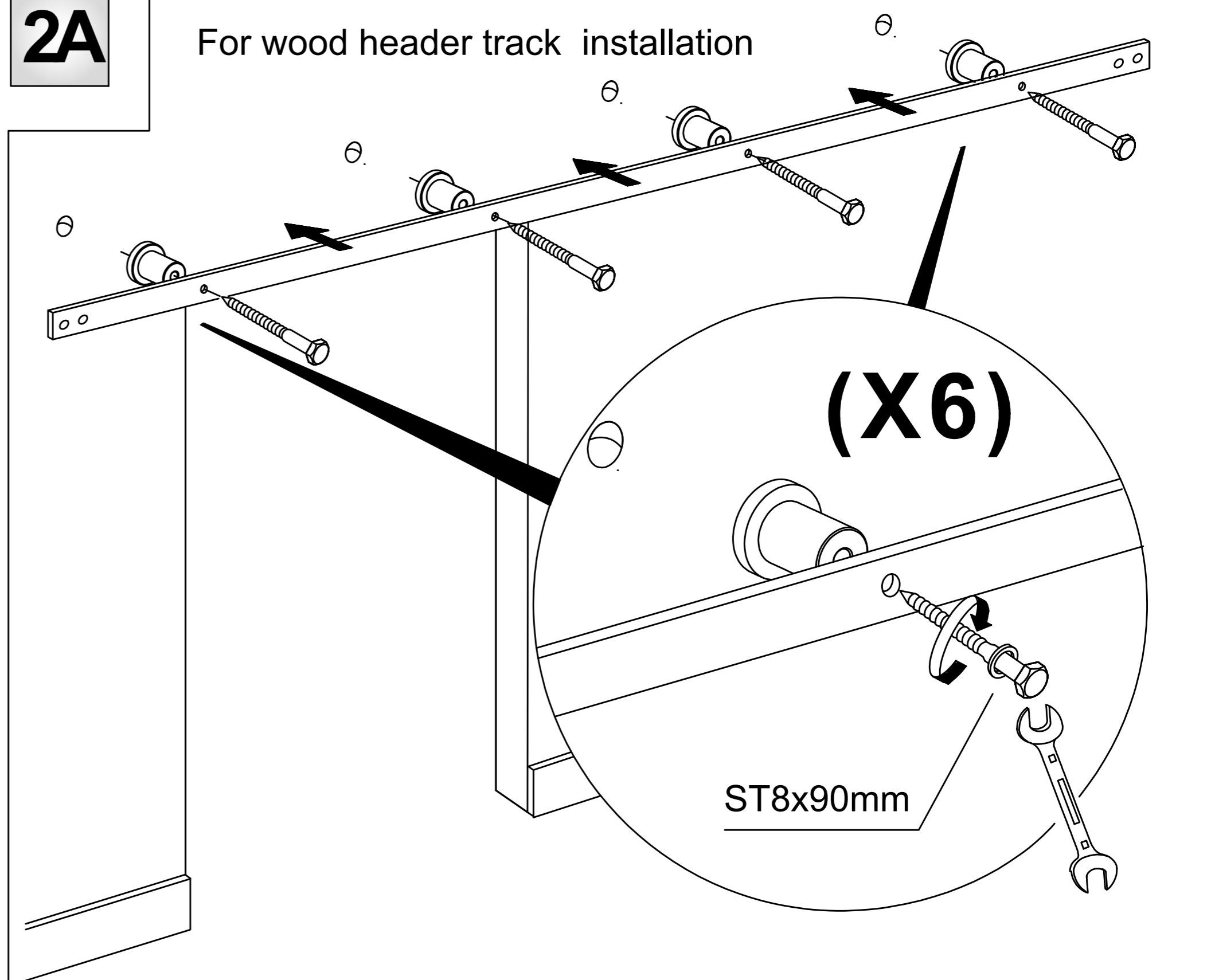


**1D**

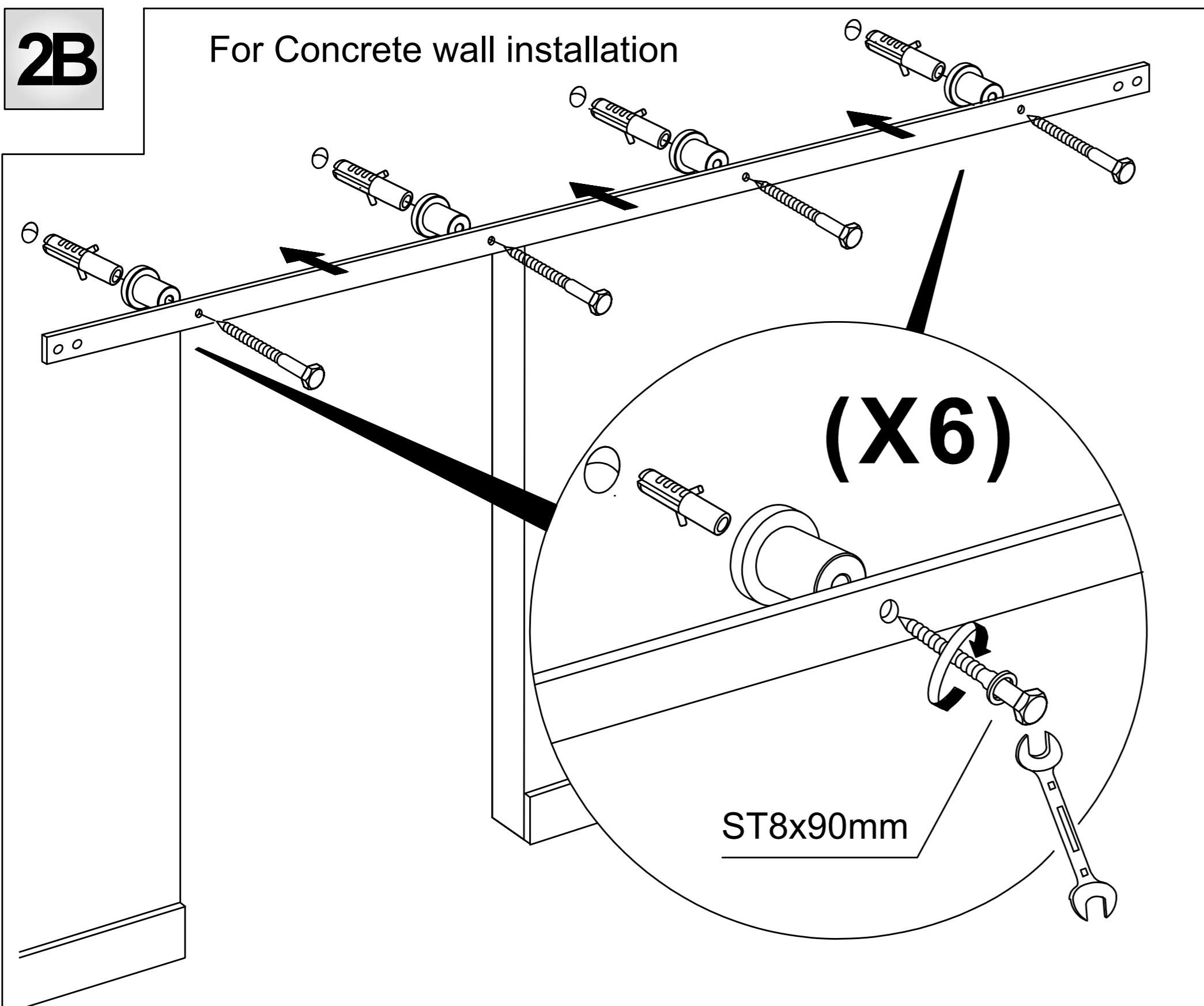
For Concrete wall installation

**2A**

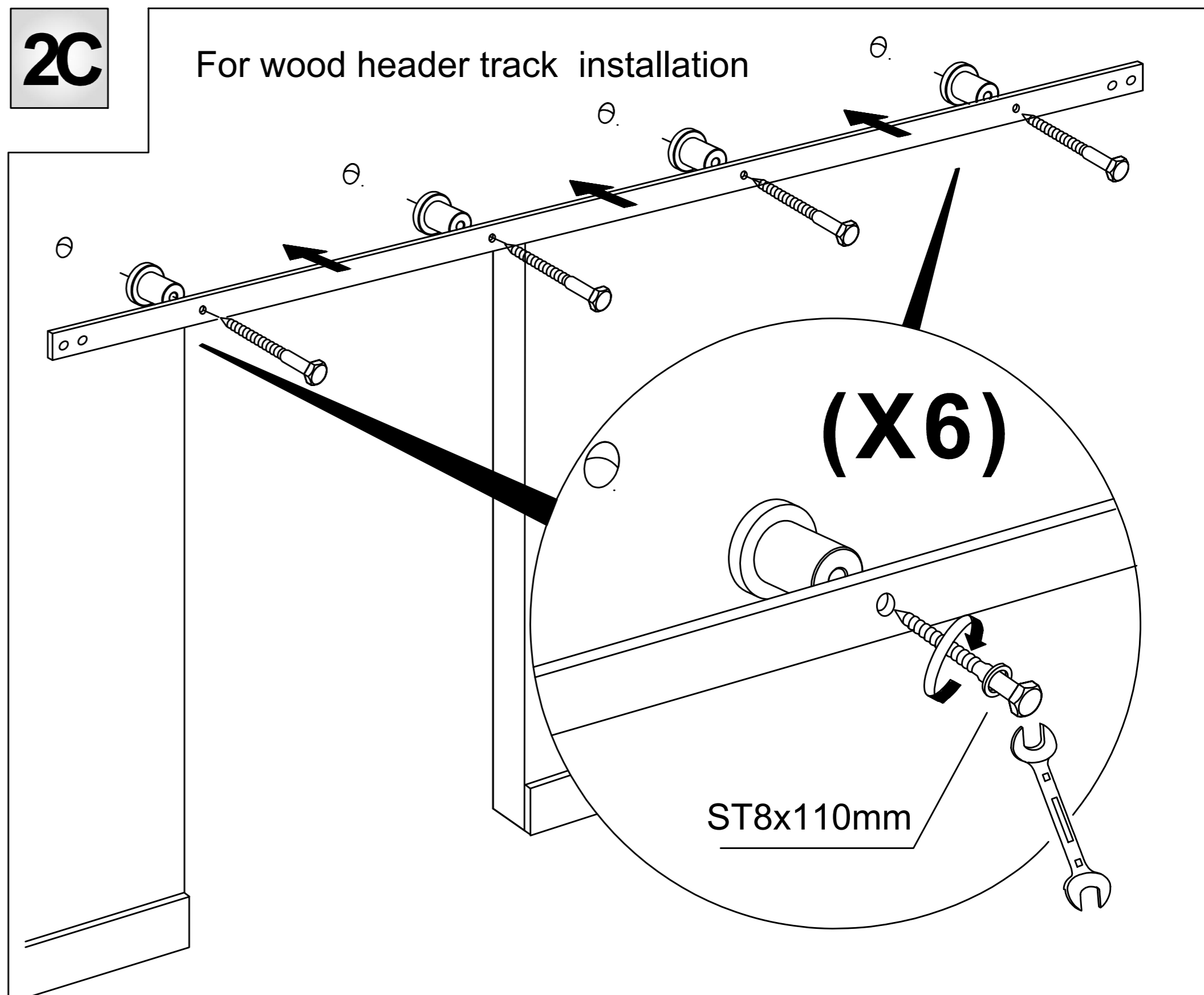
For wood header track installation

**2B**

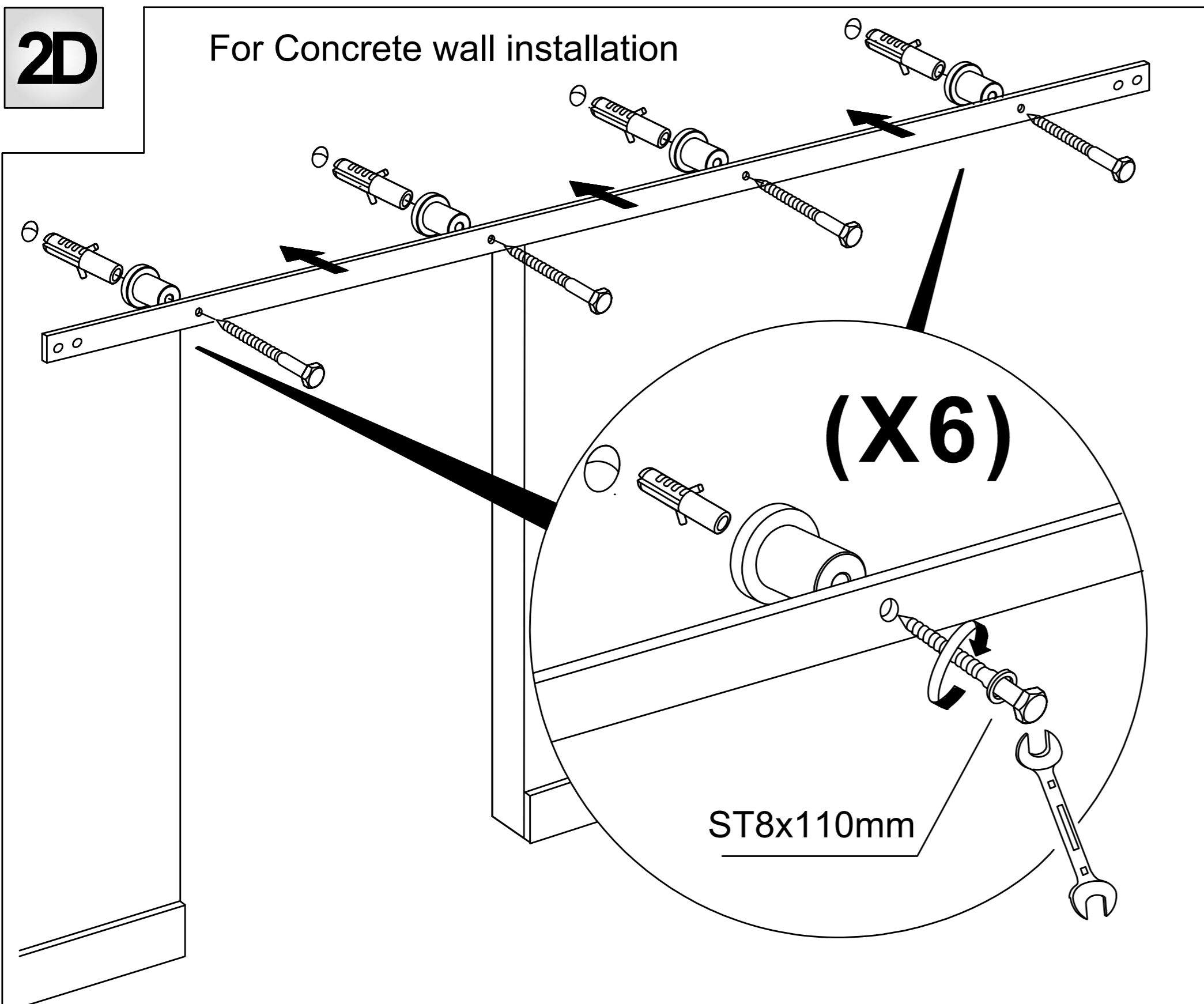
For Concrete wall installation

**2C**

For wood header track installation

**2D**

For Concrete wall installation

**3****(X2)**