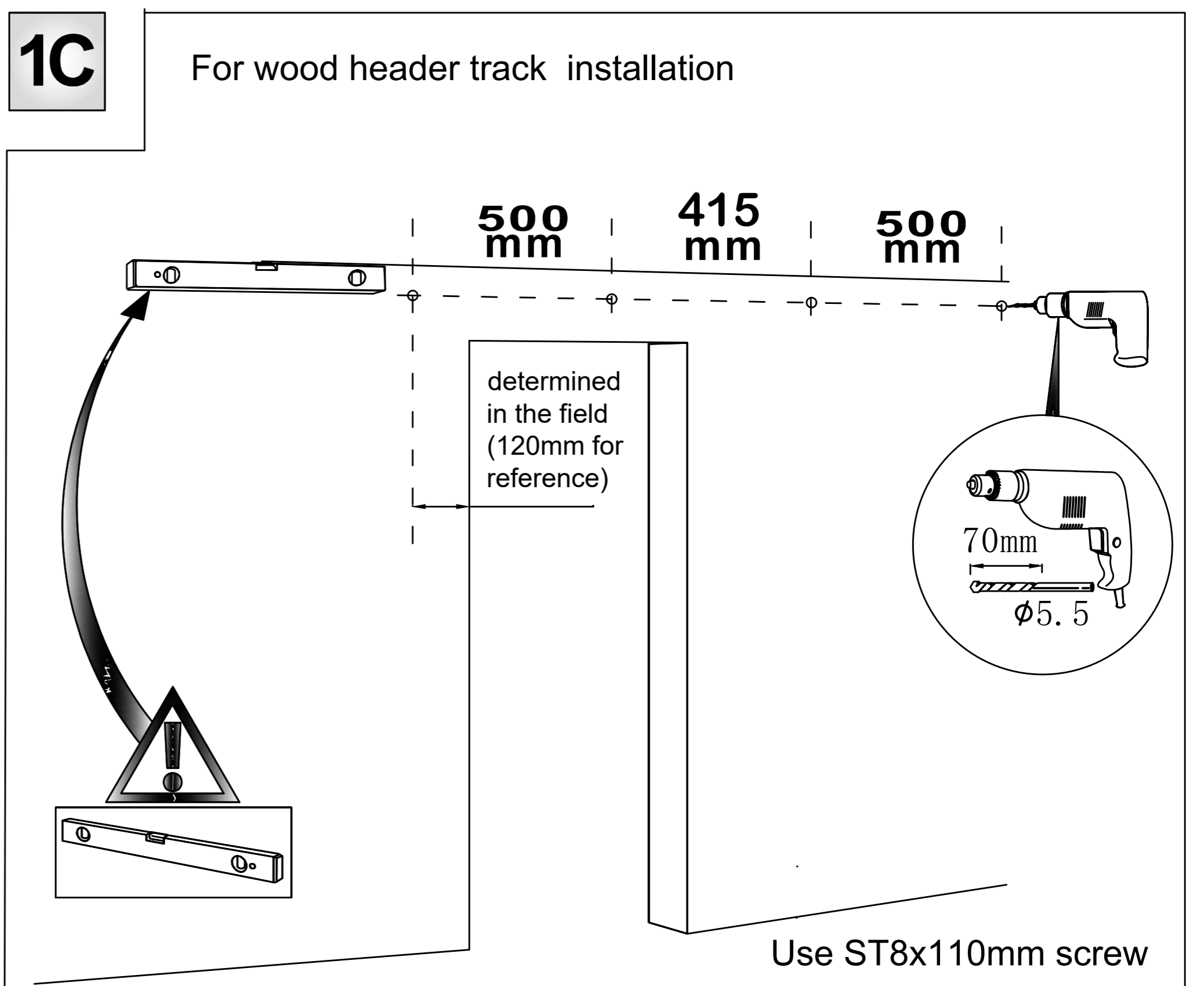
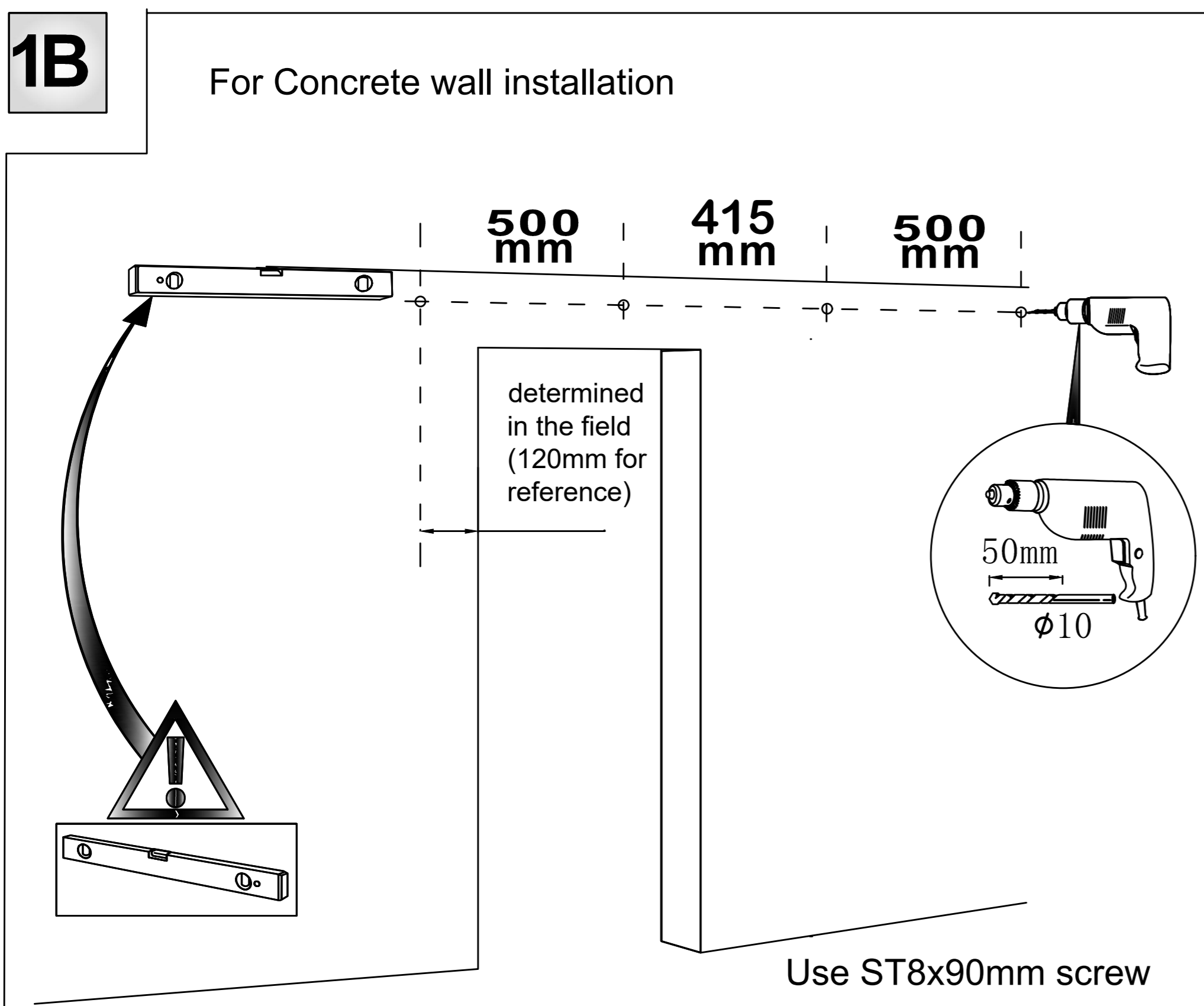
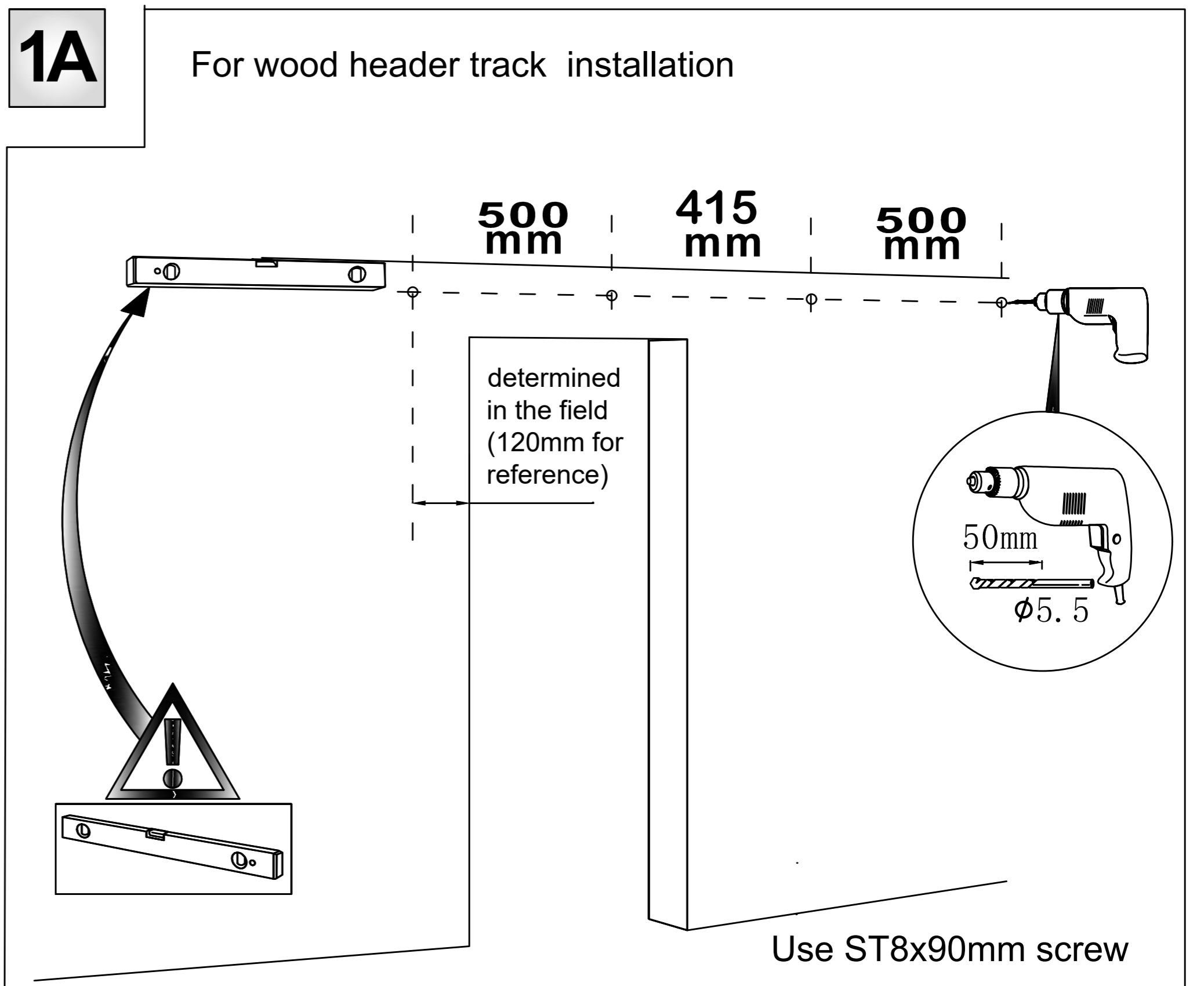
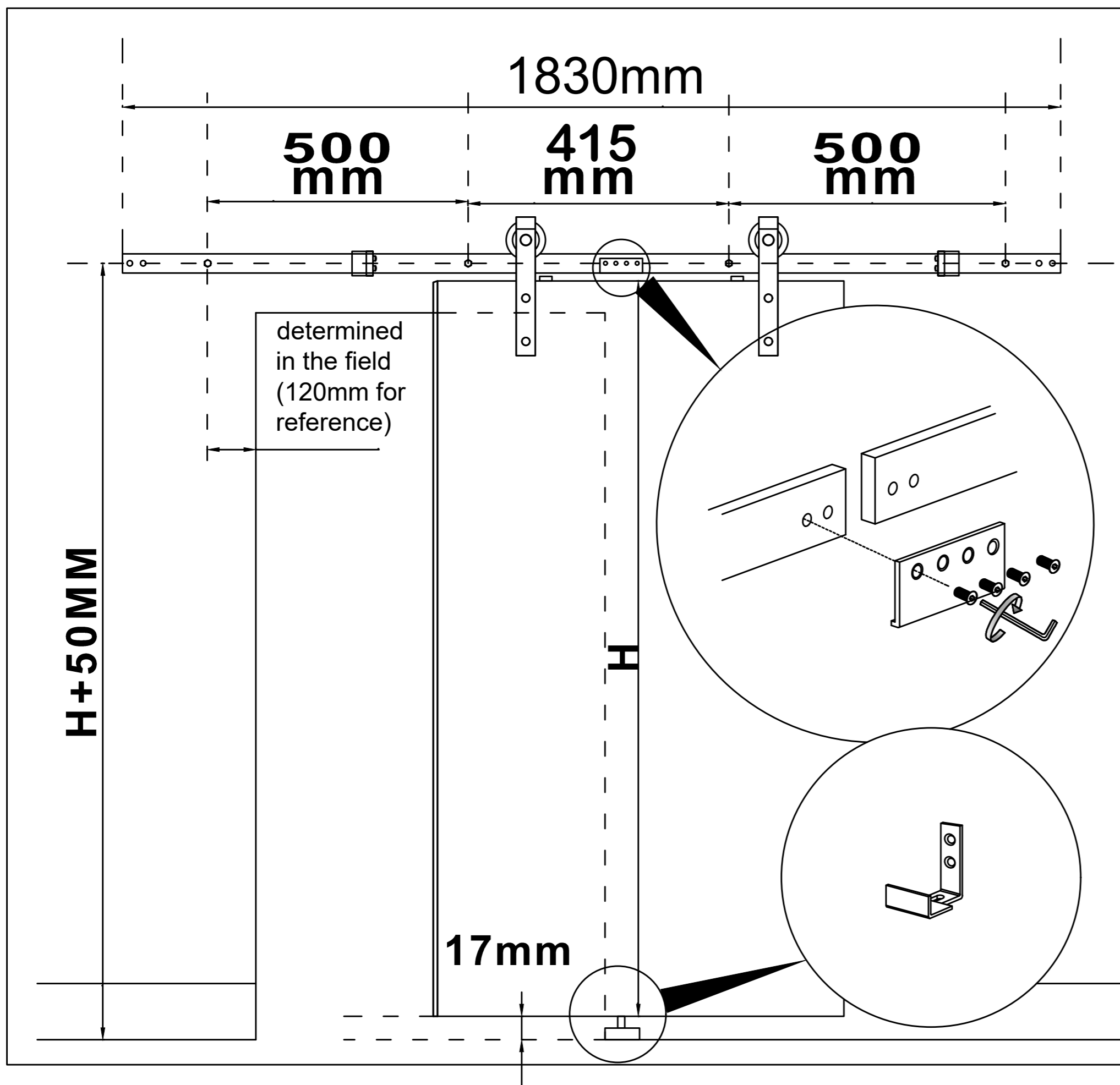
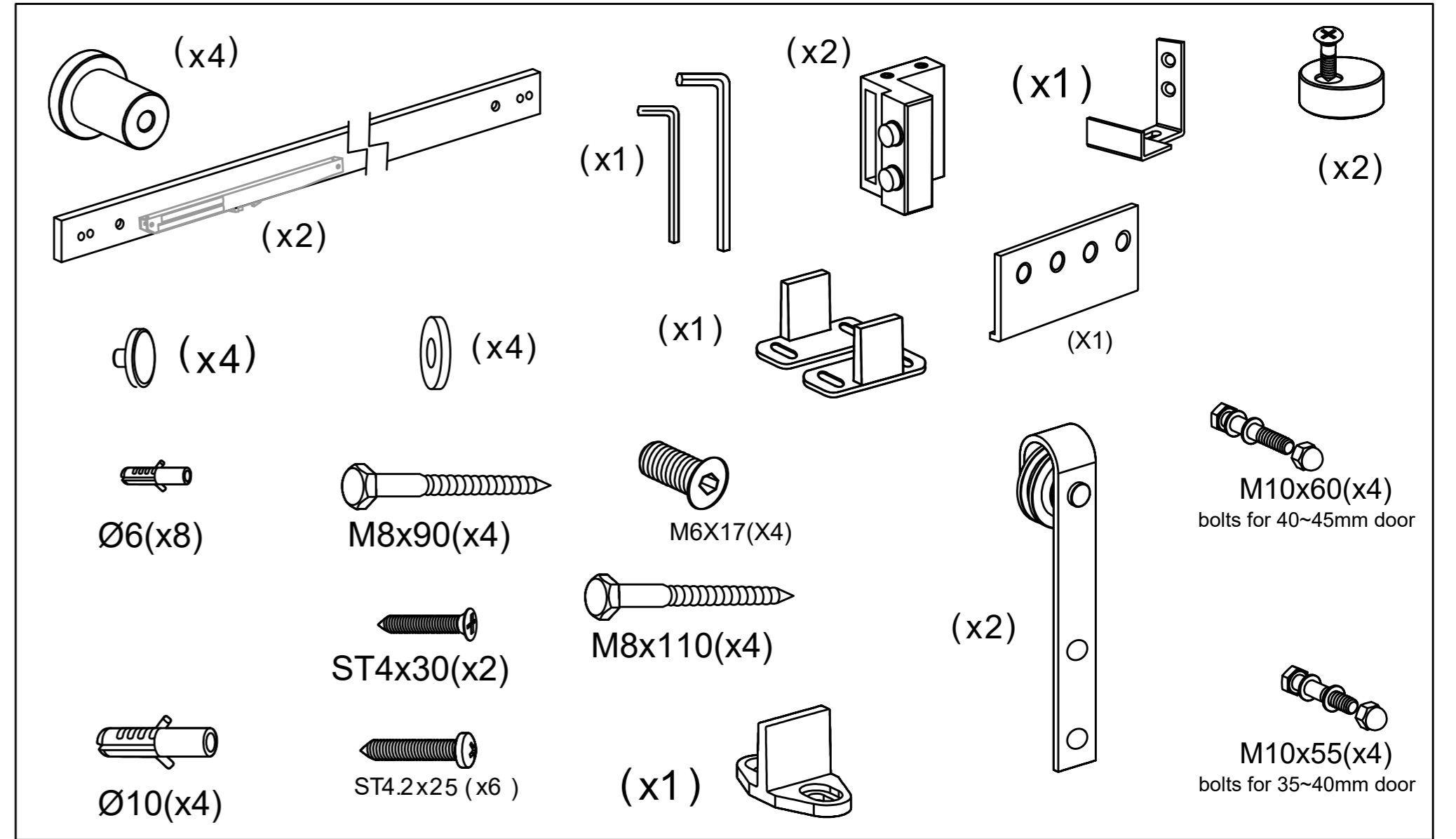
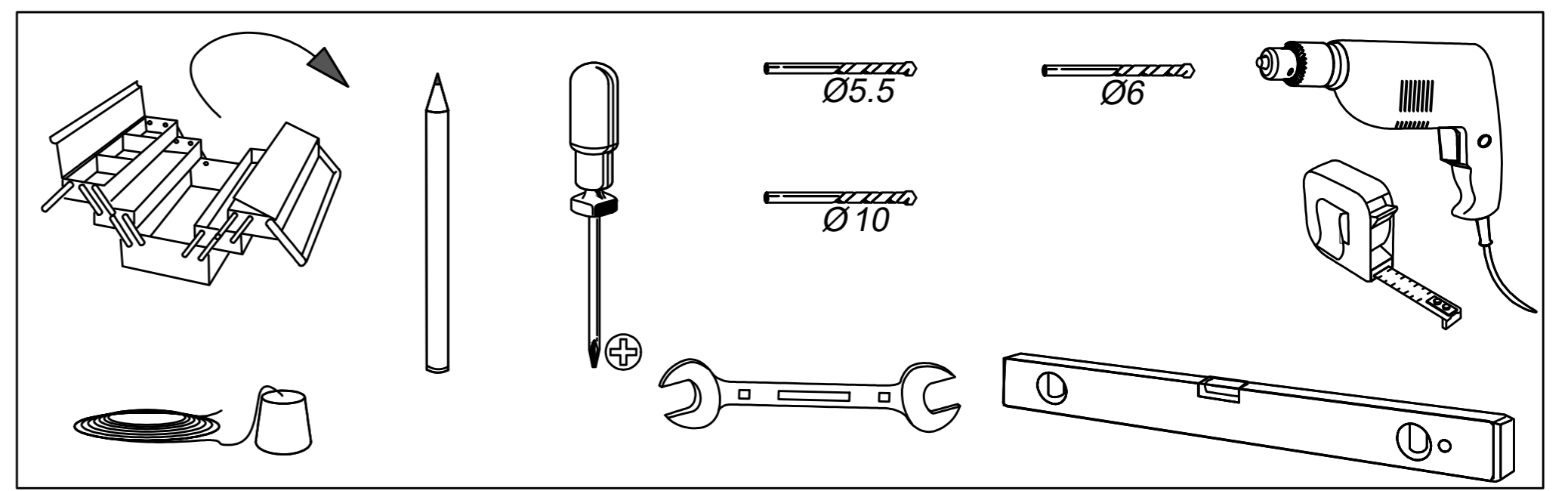
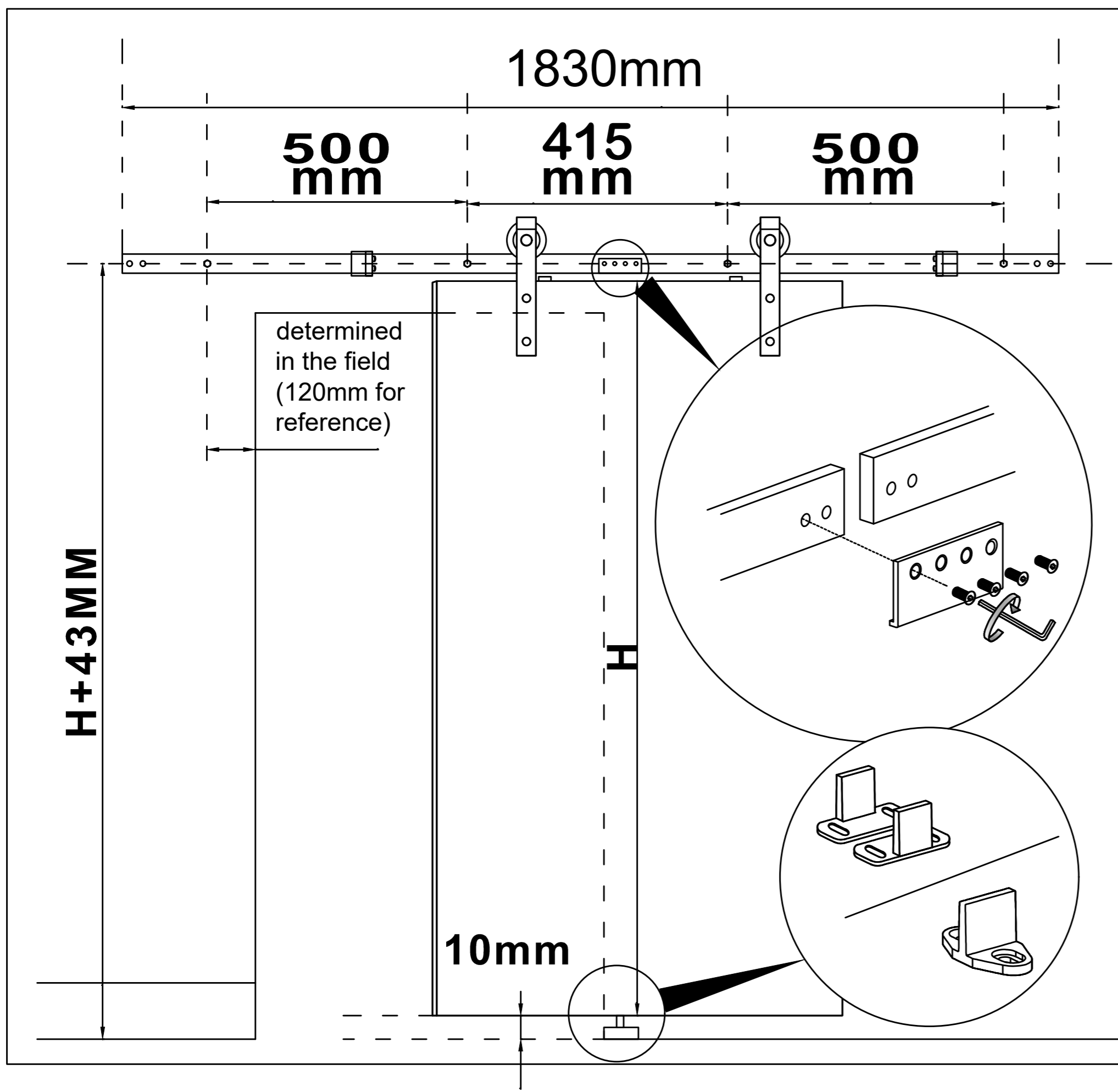
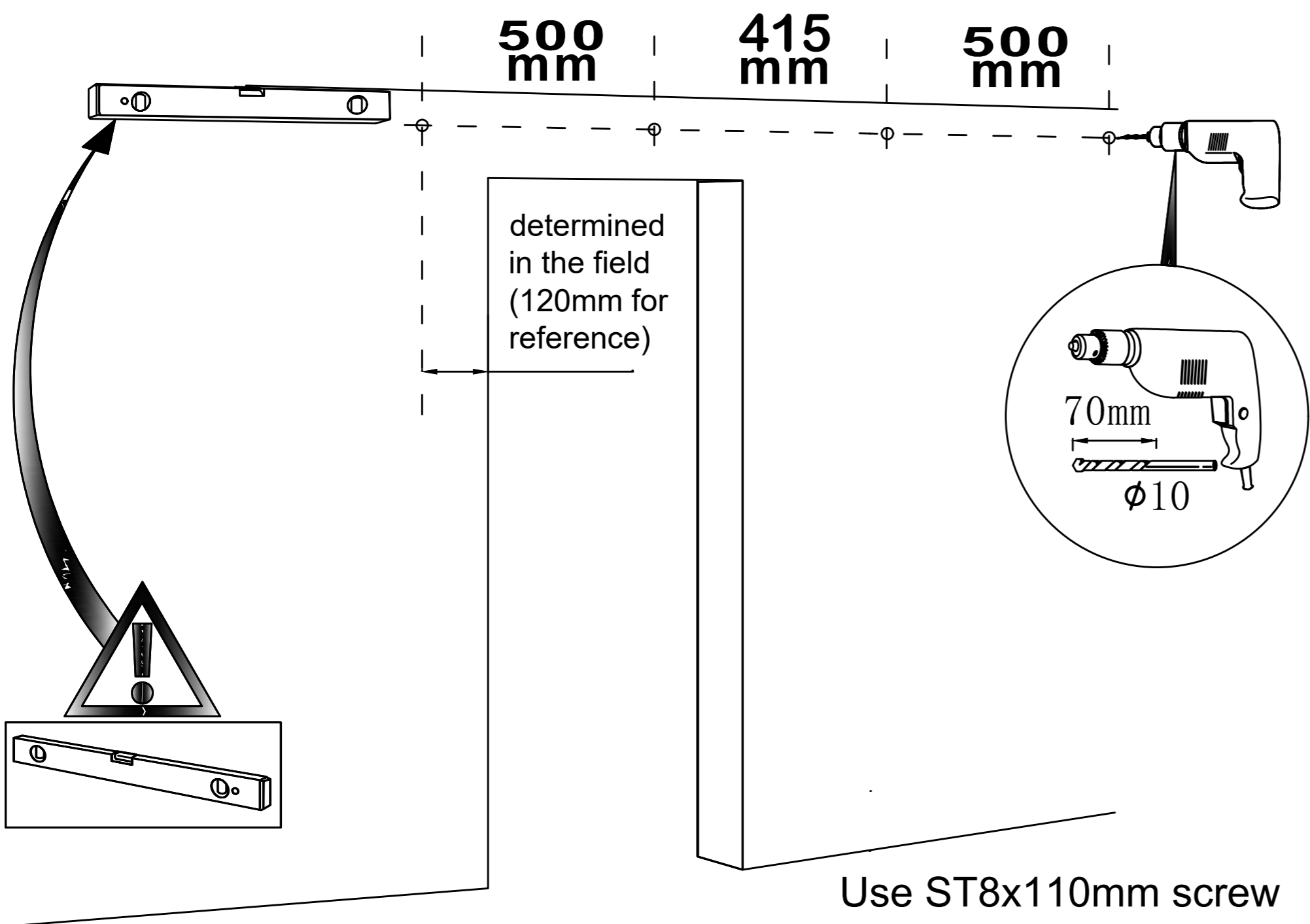


# Installation Manual



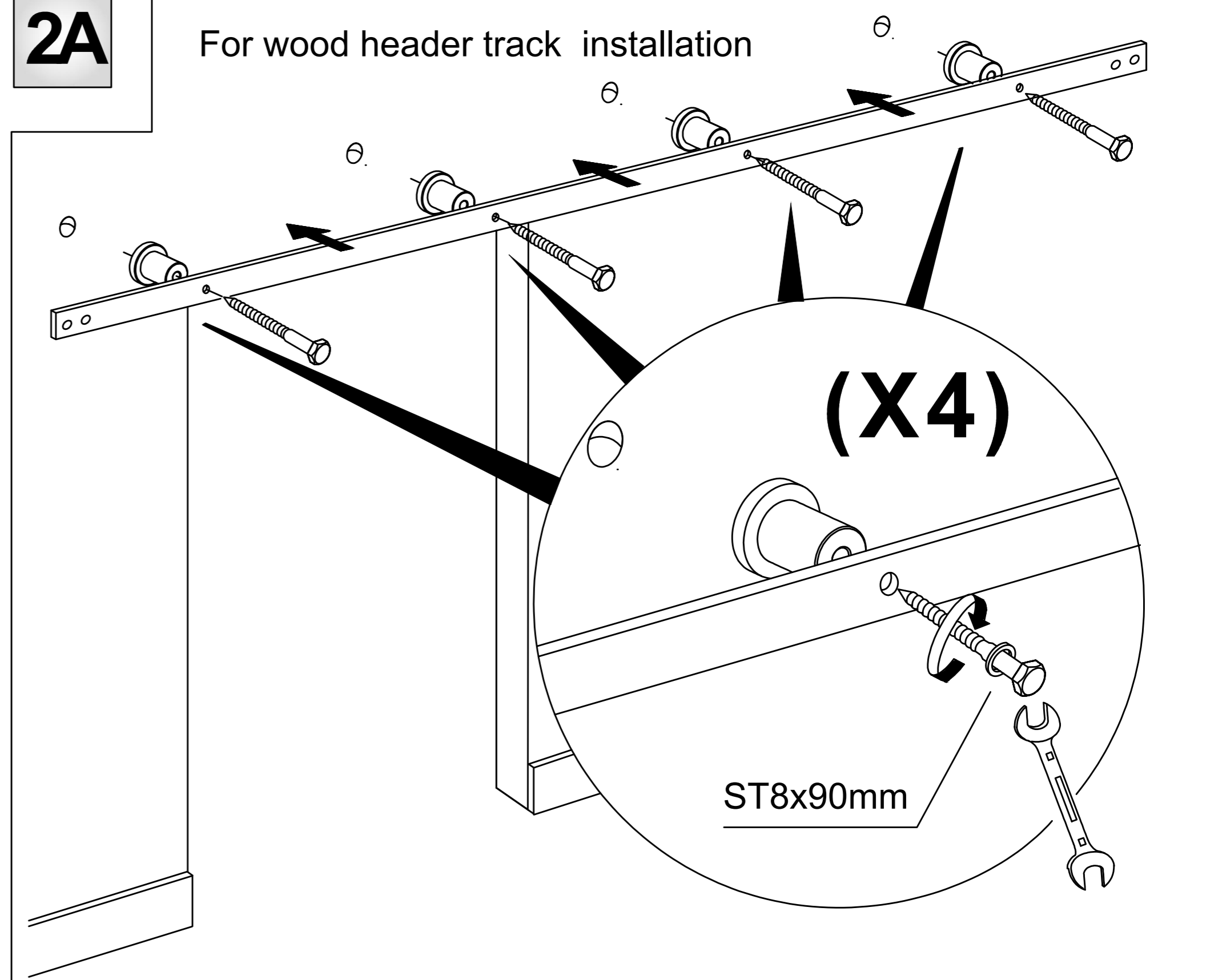
**1D**

For Concrete wall installation



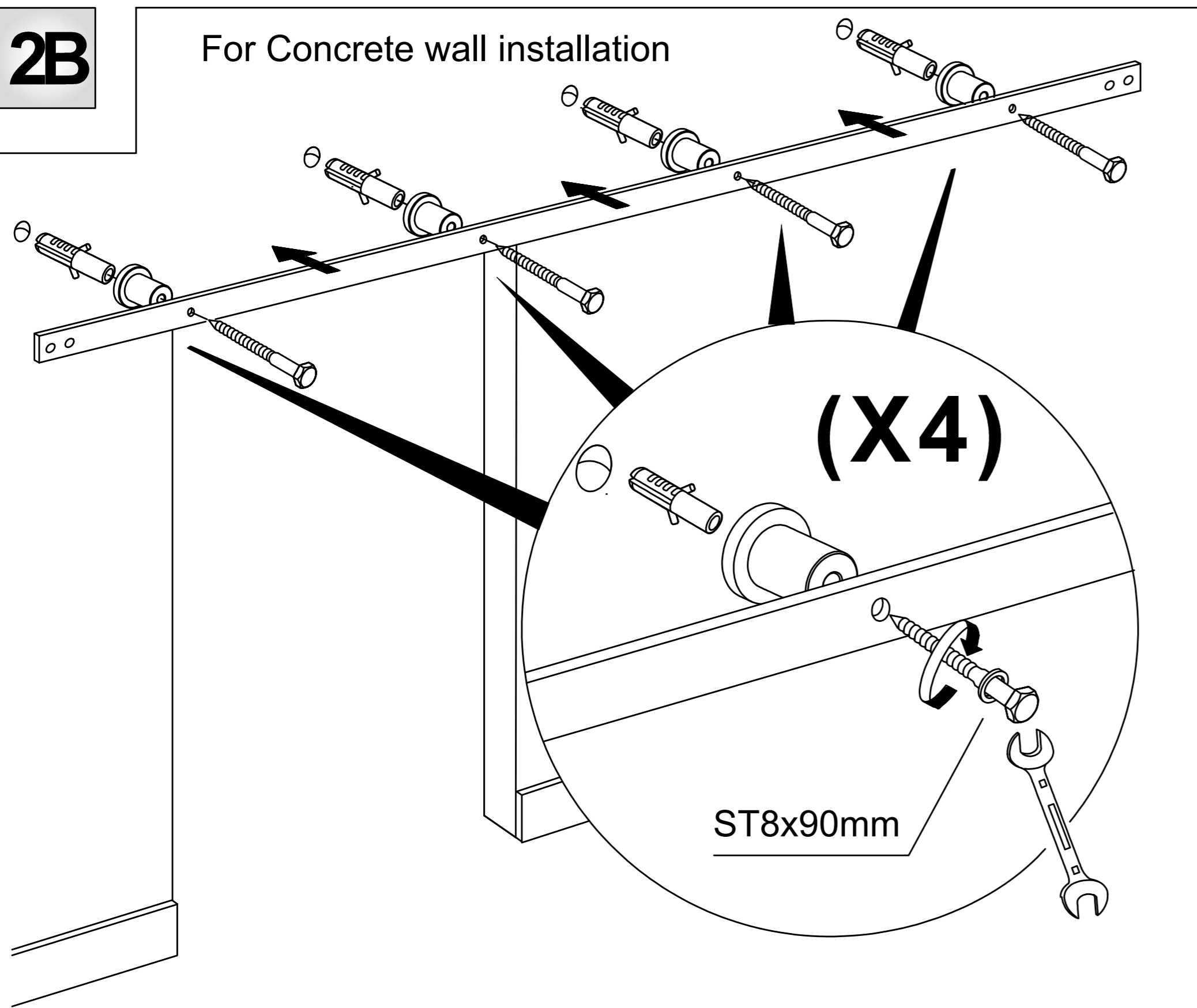
**2A**

For wood header track installation



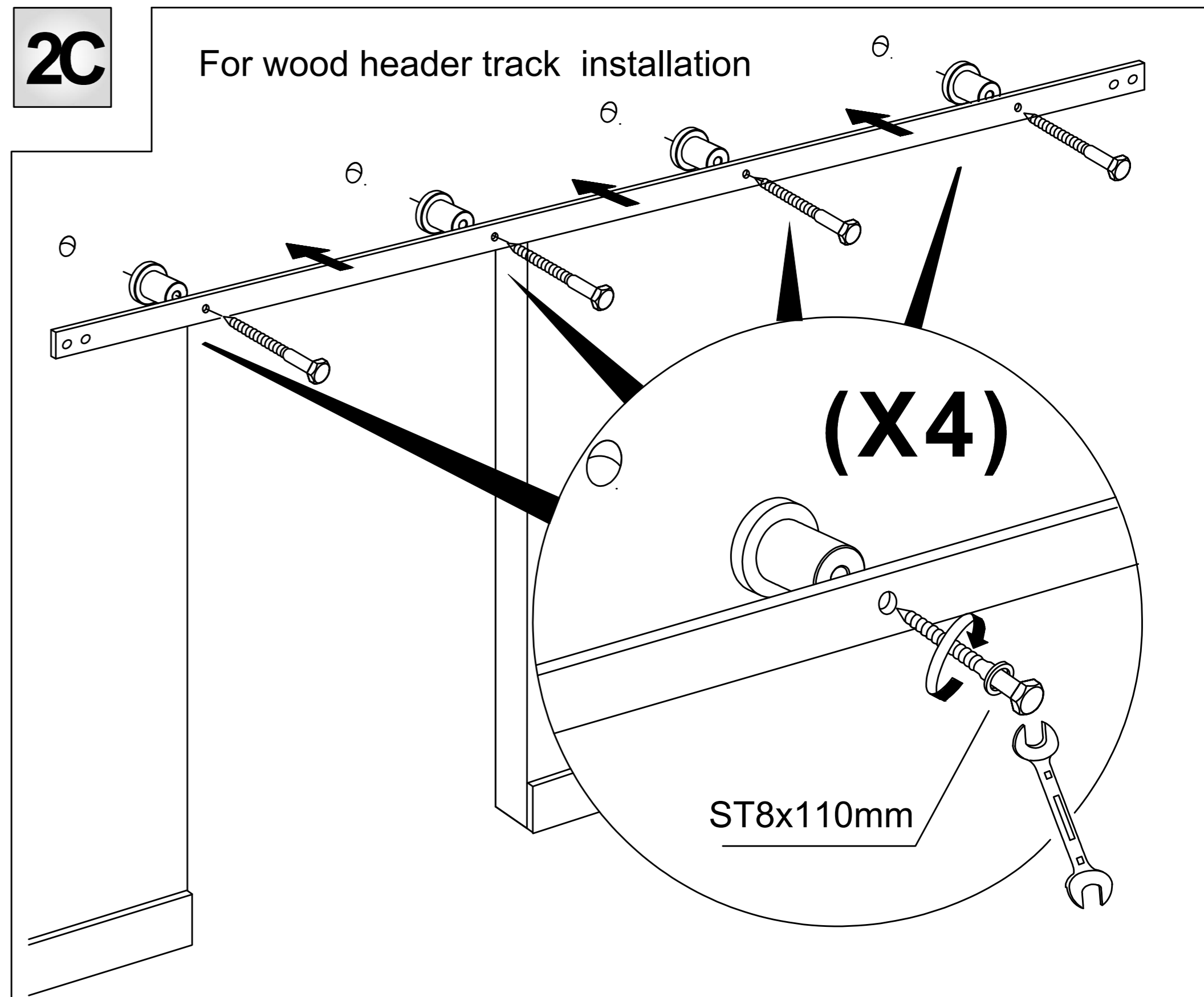
**2B**

For Concrete wall installation



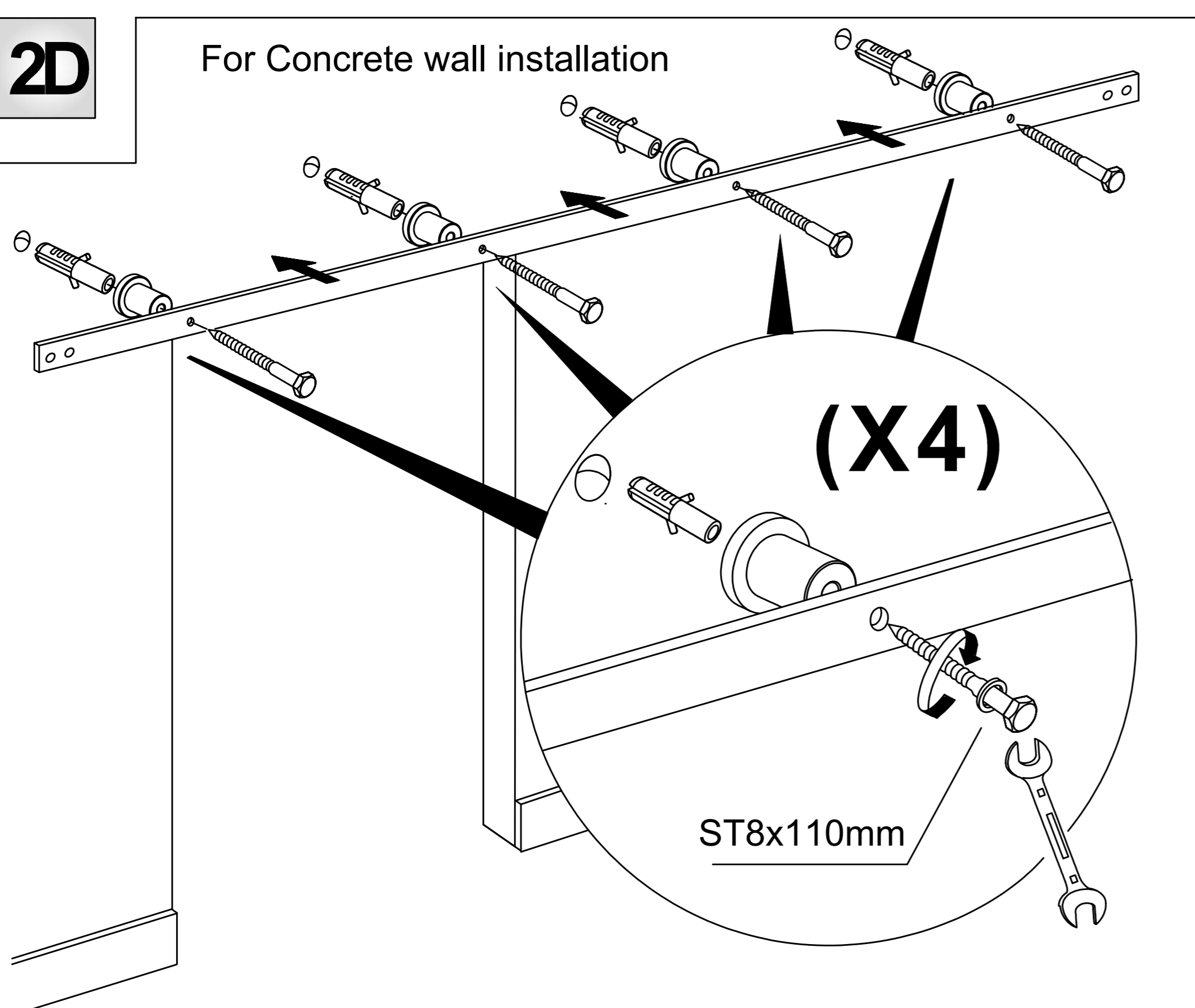
**2C**

For wood header track installation



**2D**

For Concrete wall installation



**3**

(X2)

