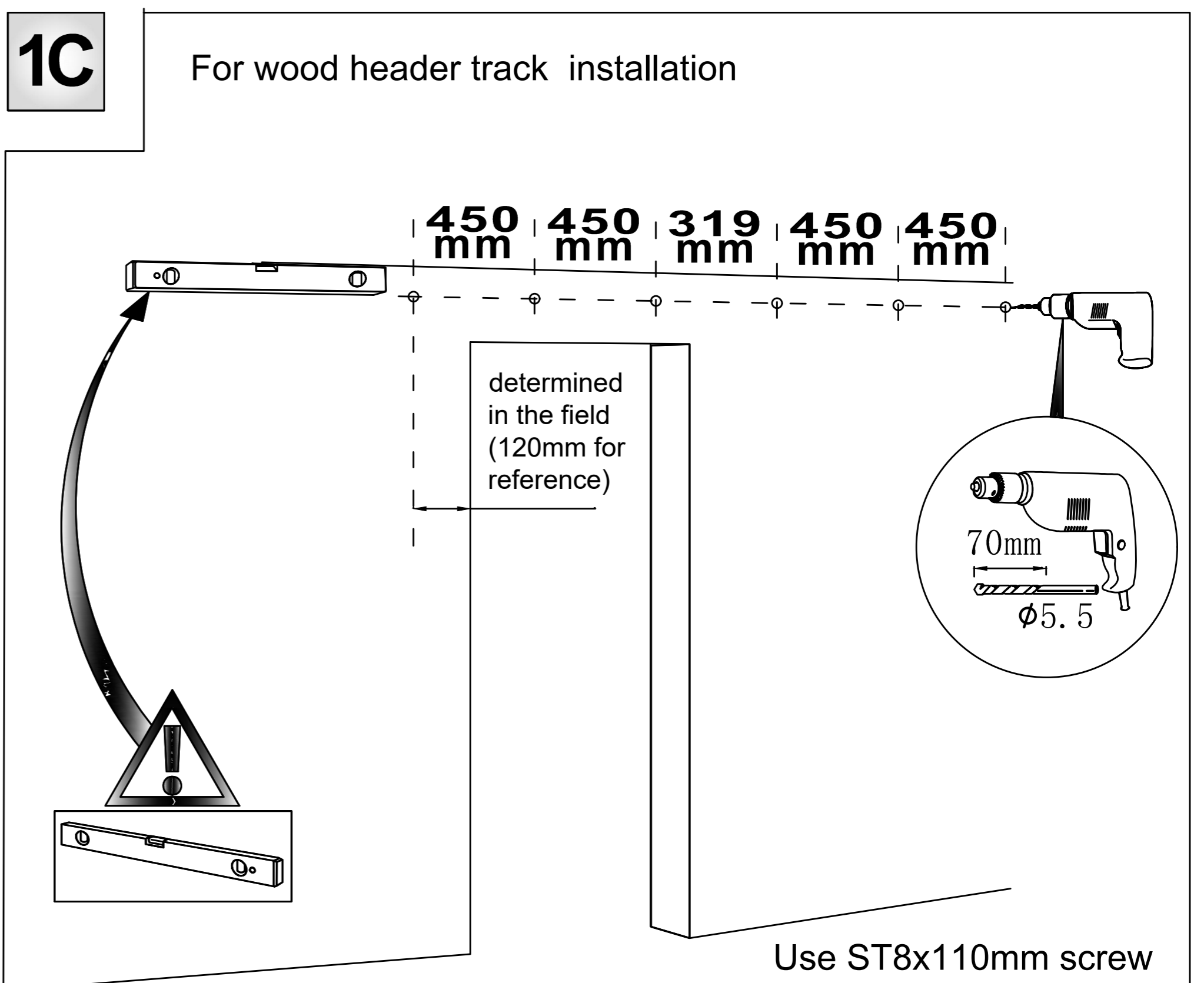
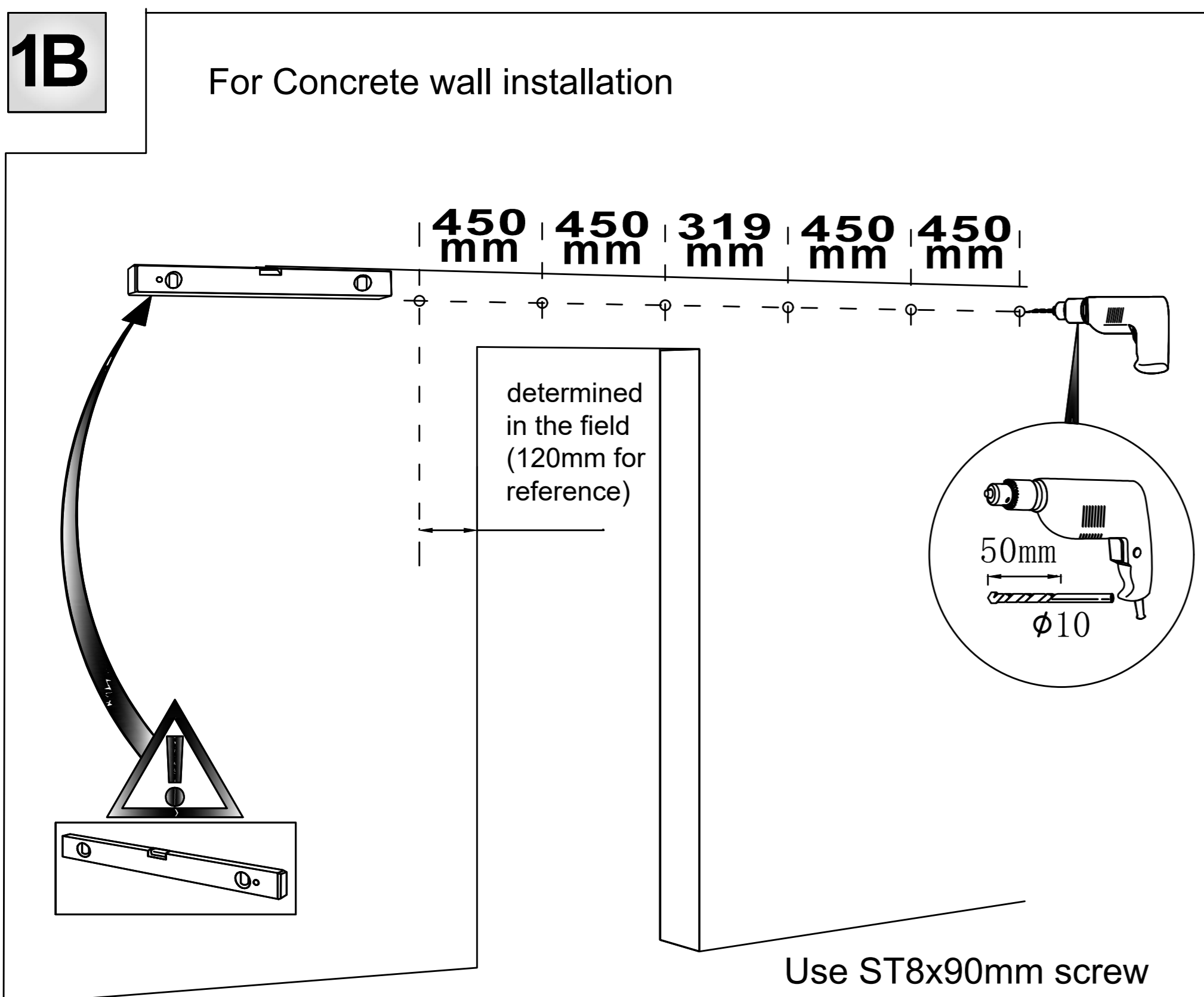
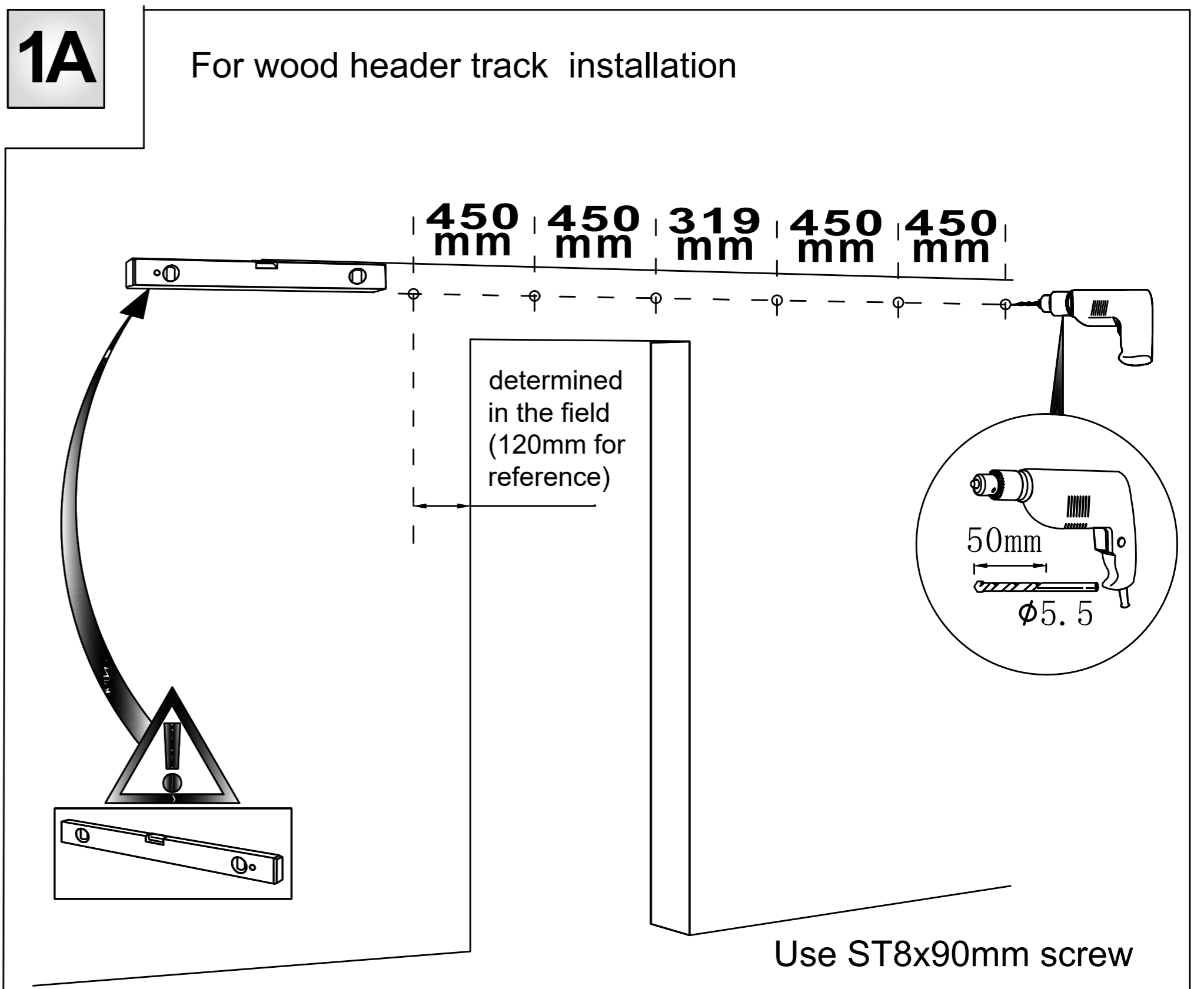
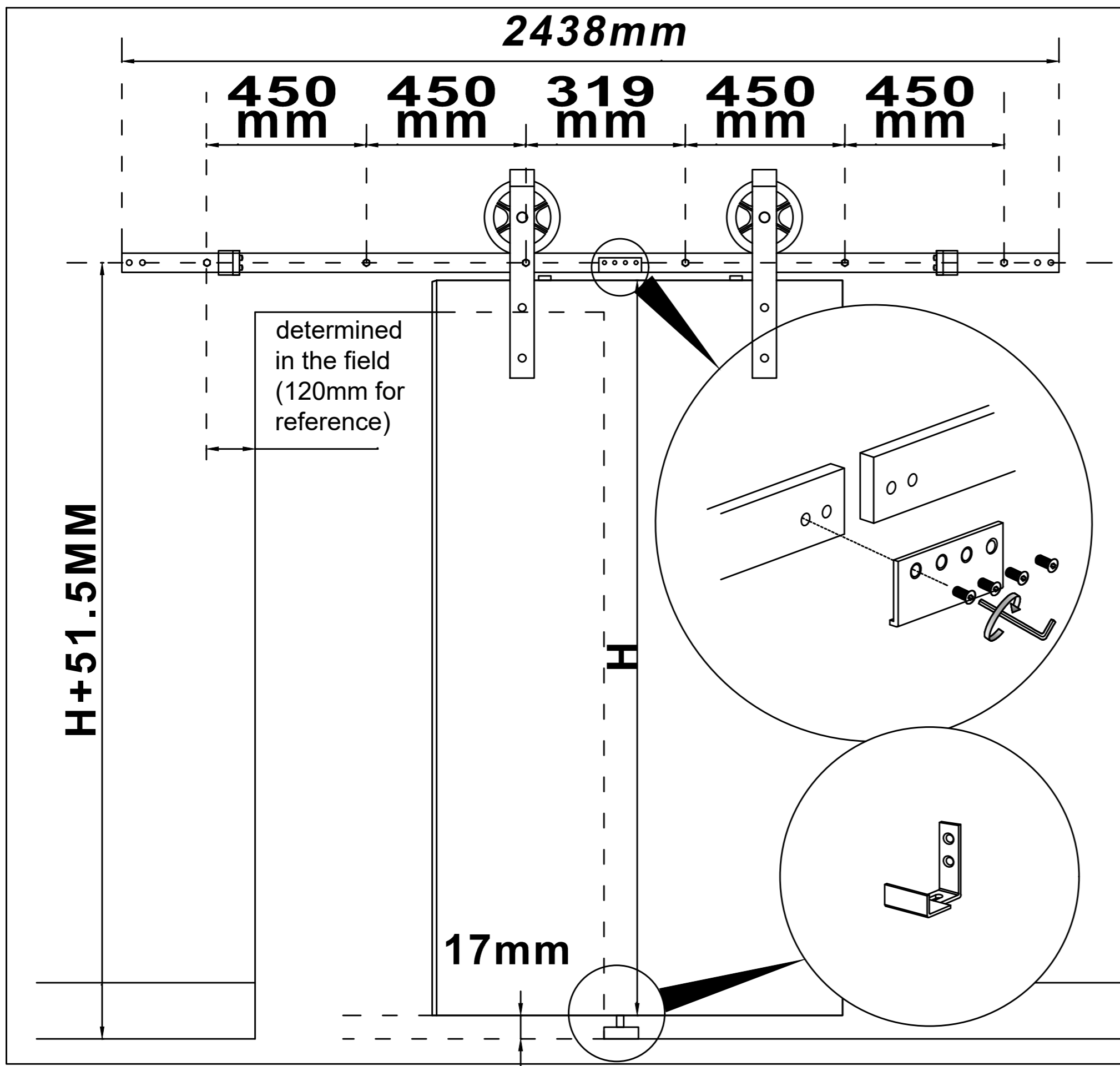
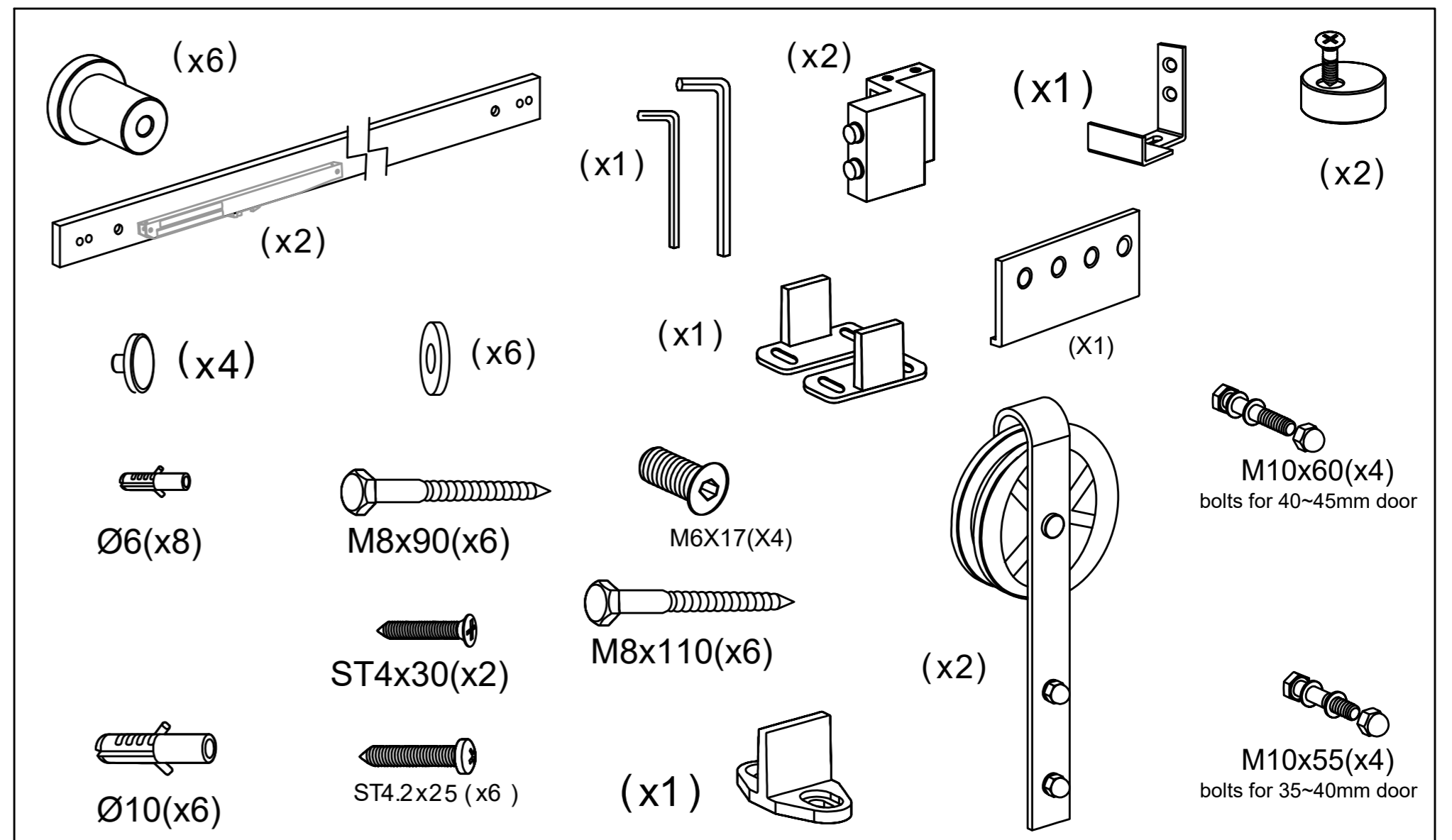
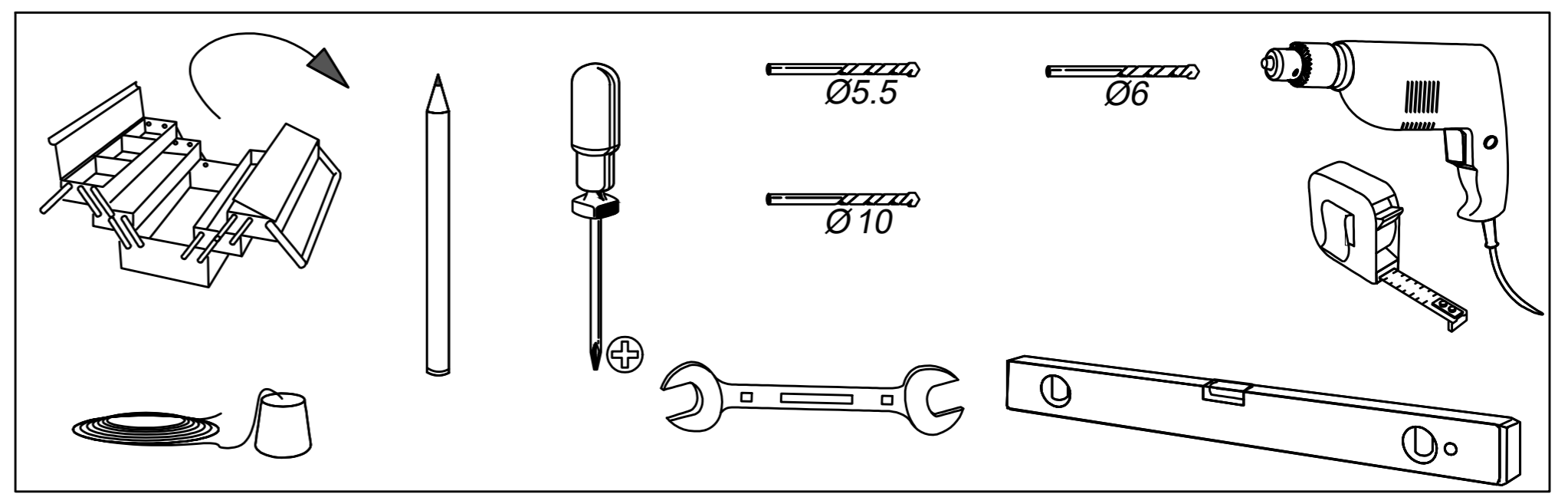
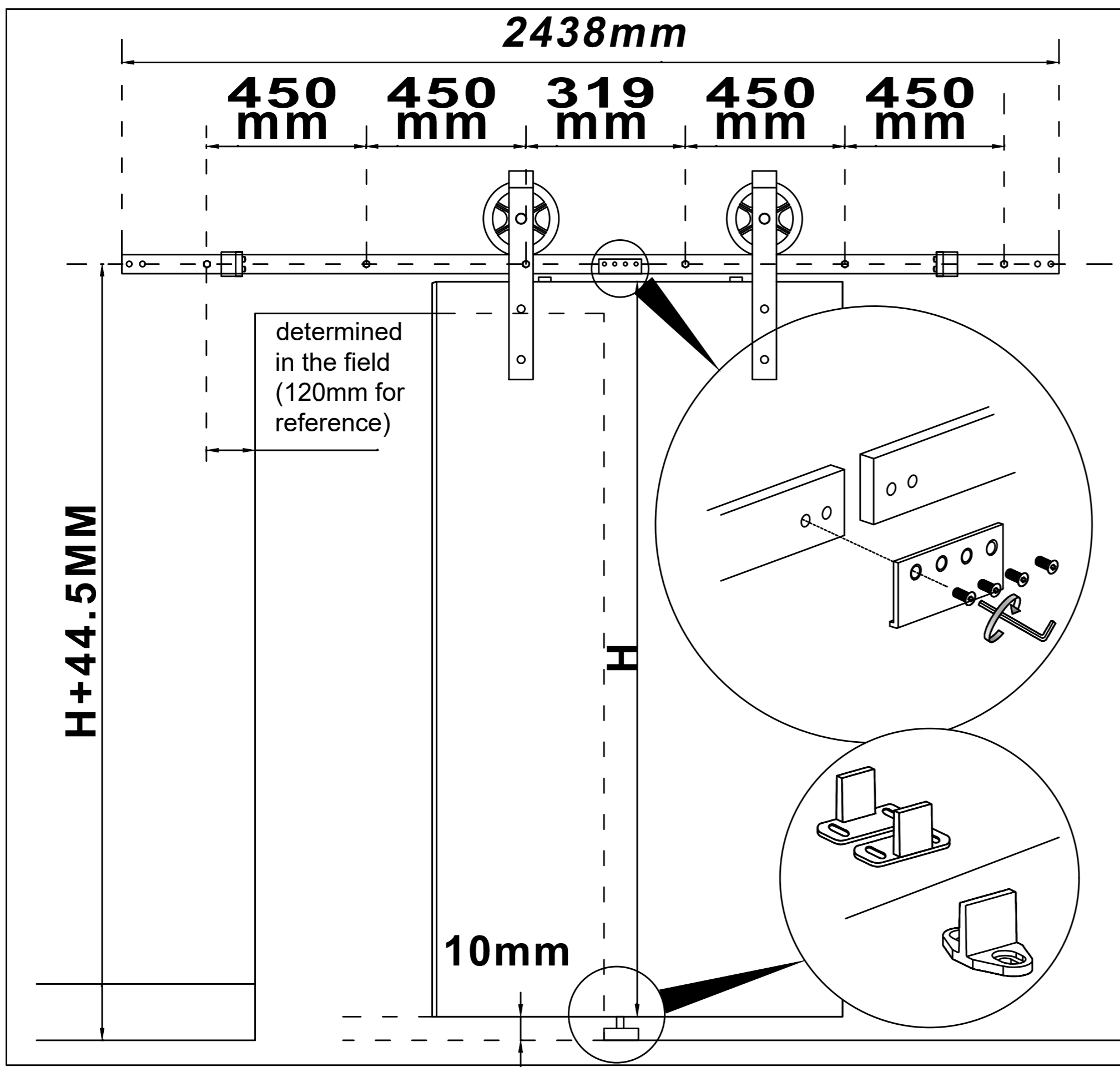
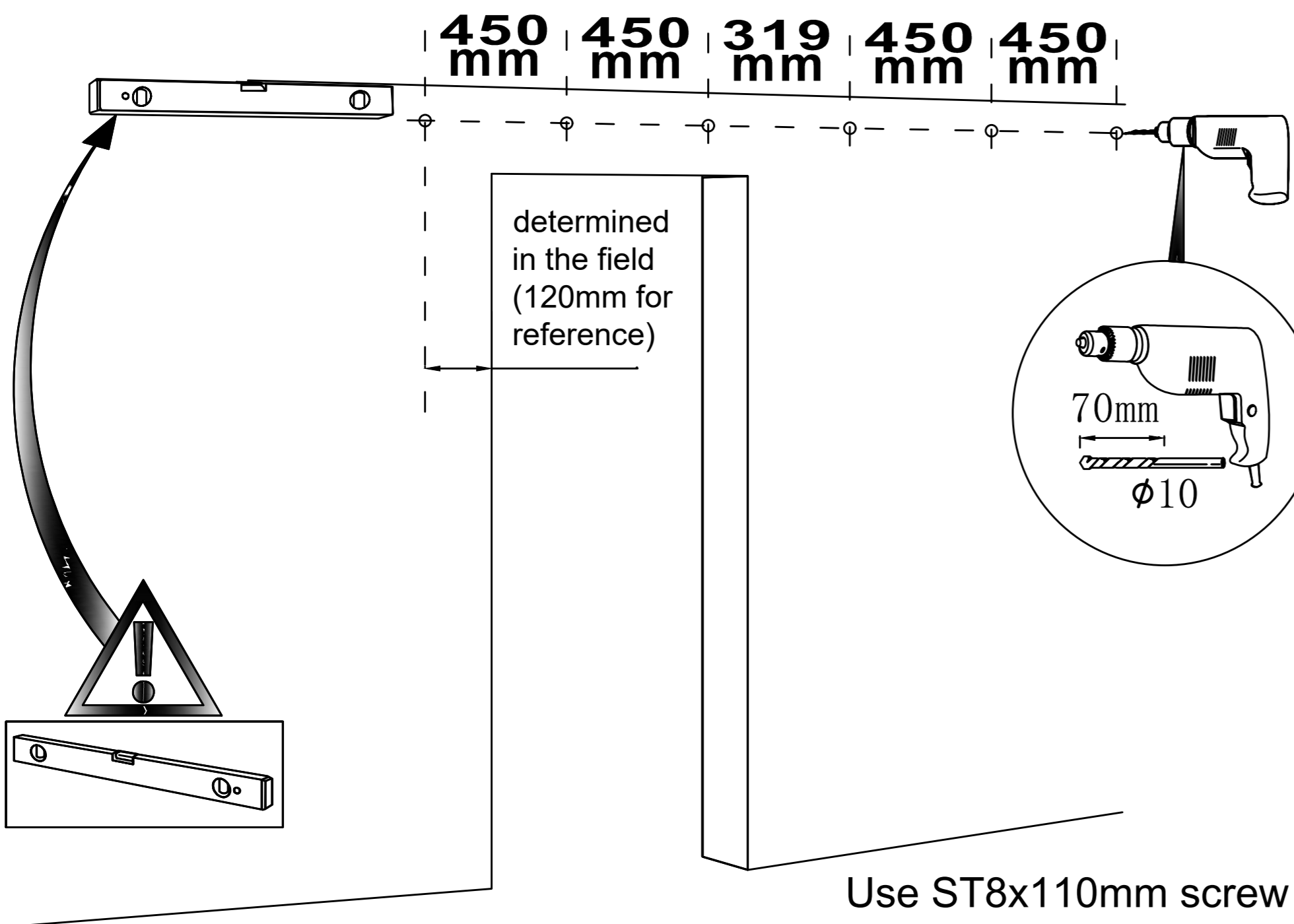


Installation Manual



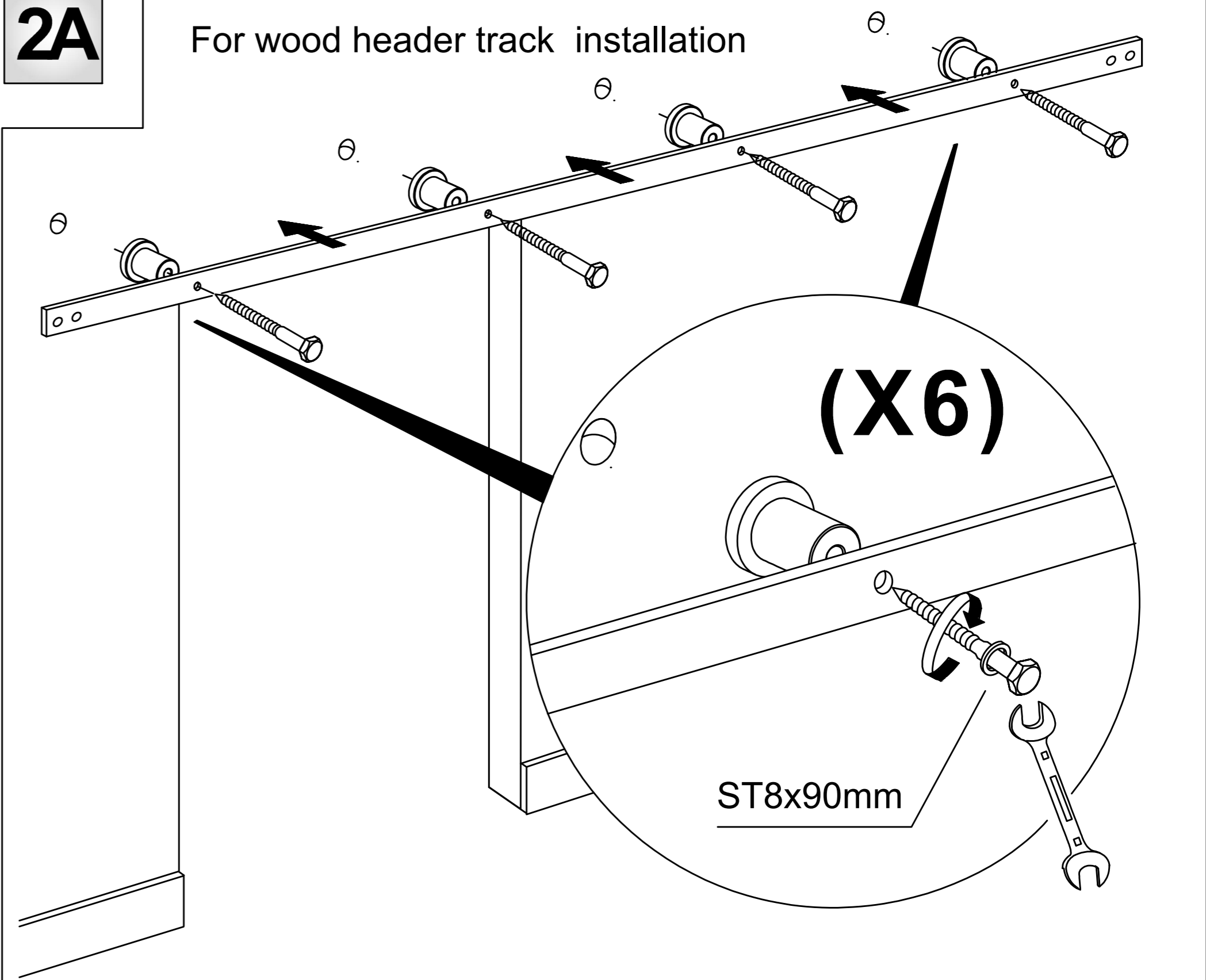
1D

For Concrete wall installation



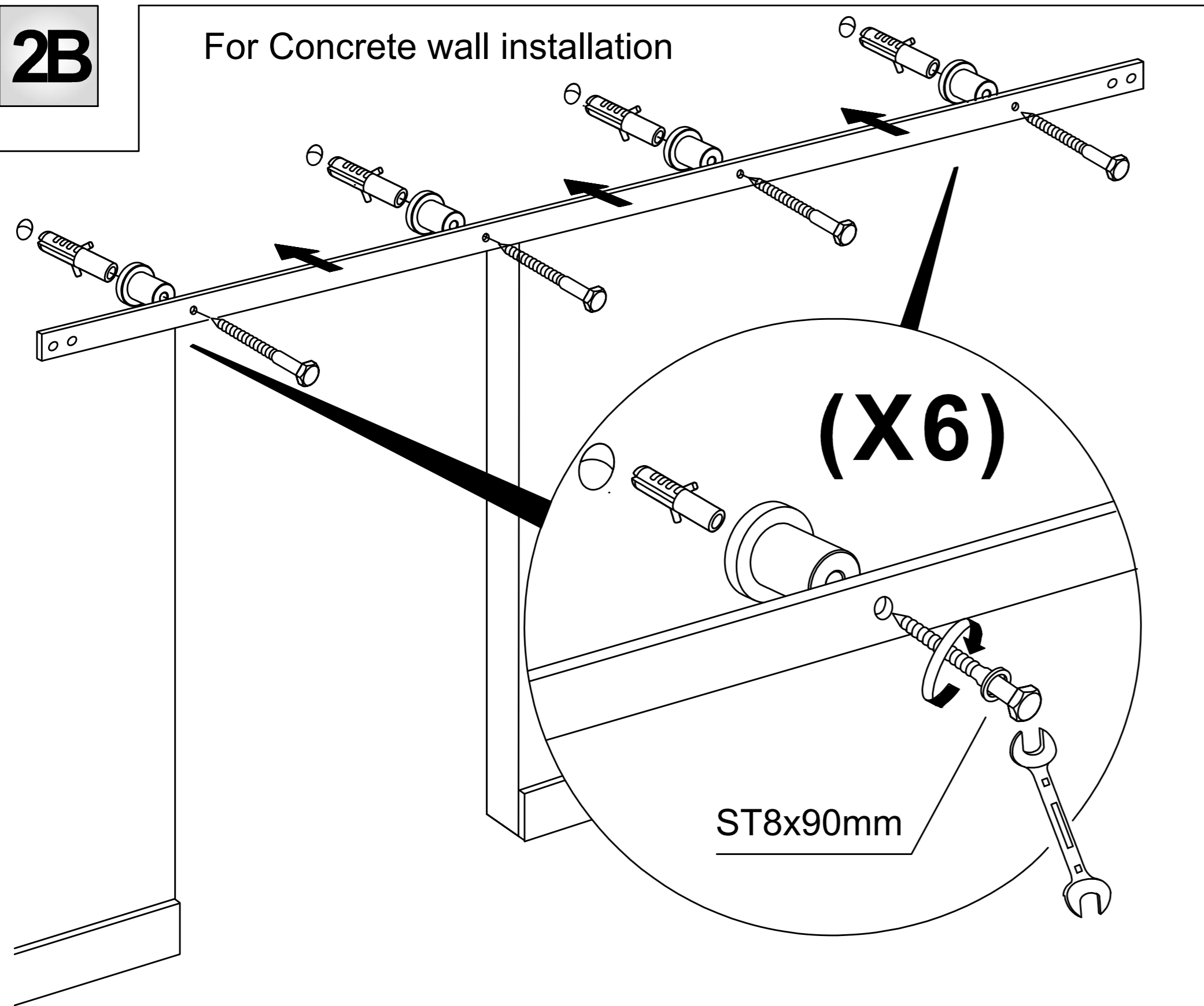
2A

For wood header track installation



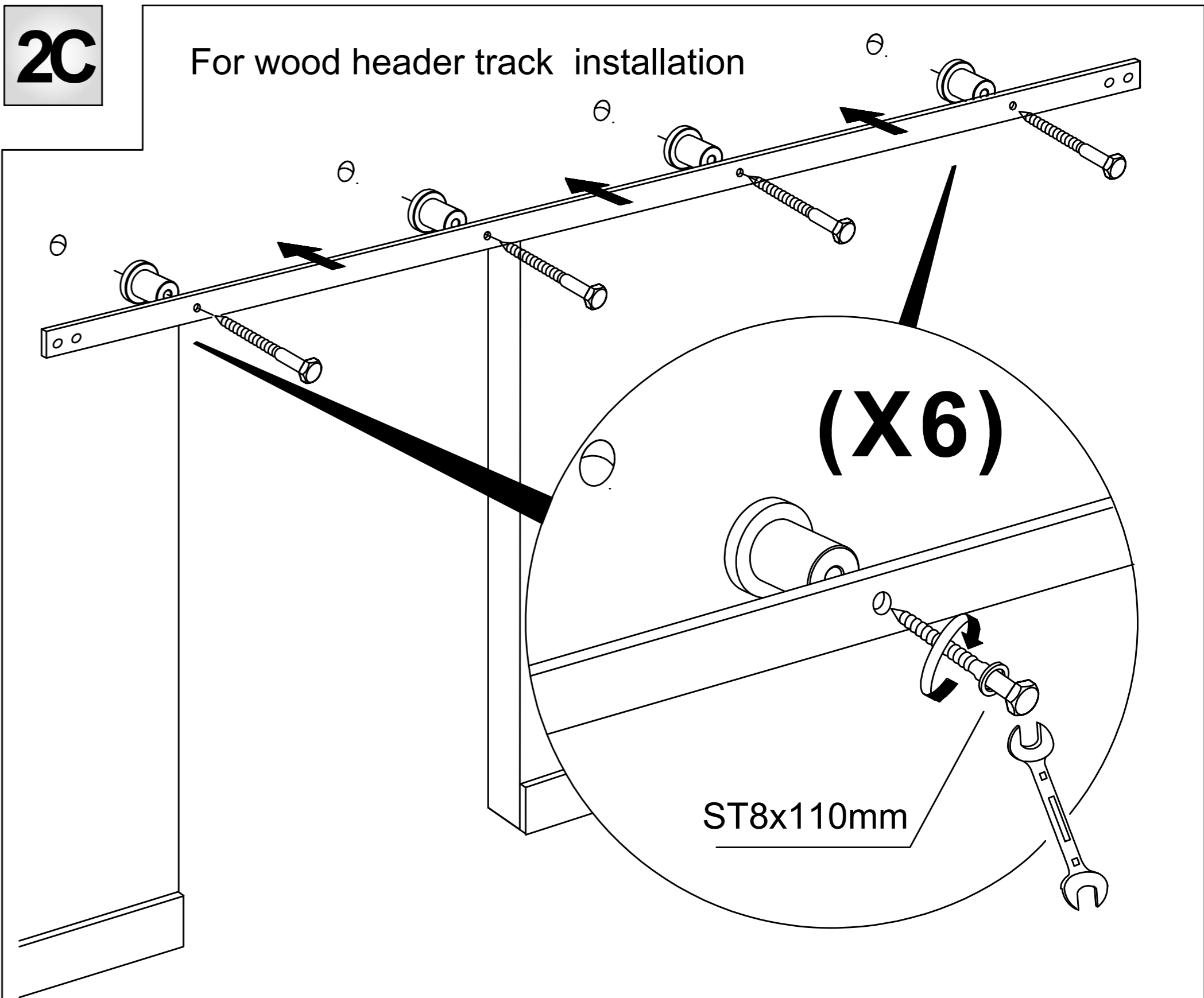
2B

For Concrete wall installation



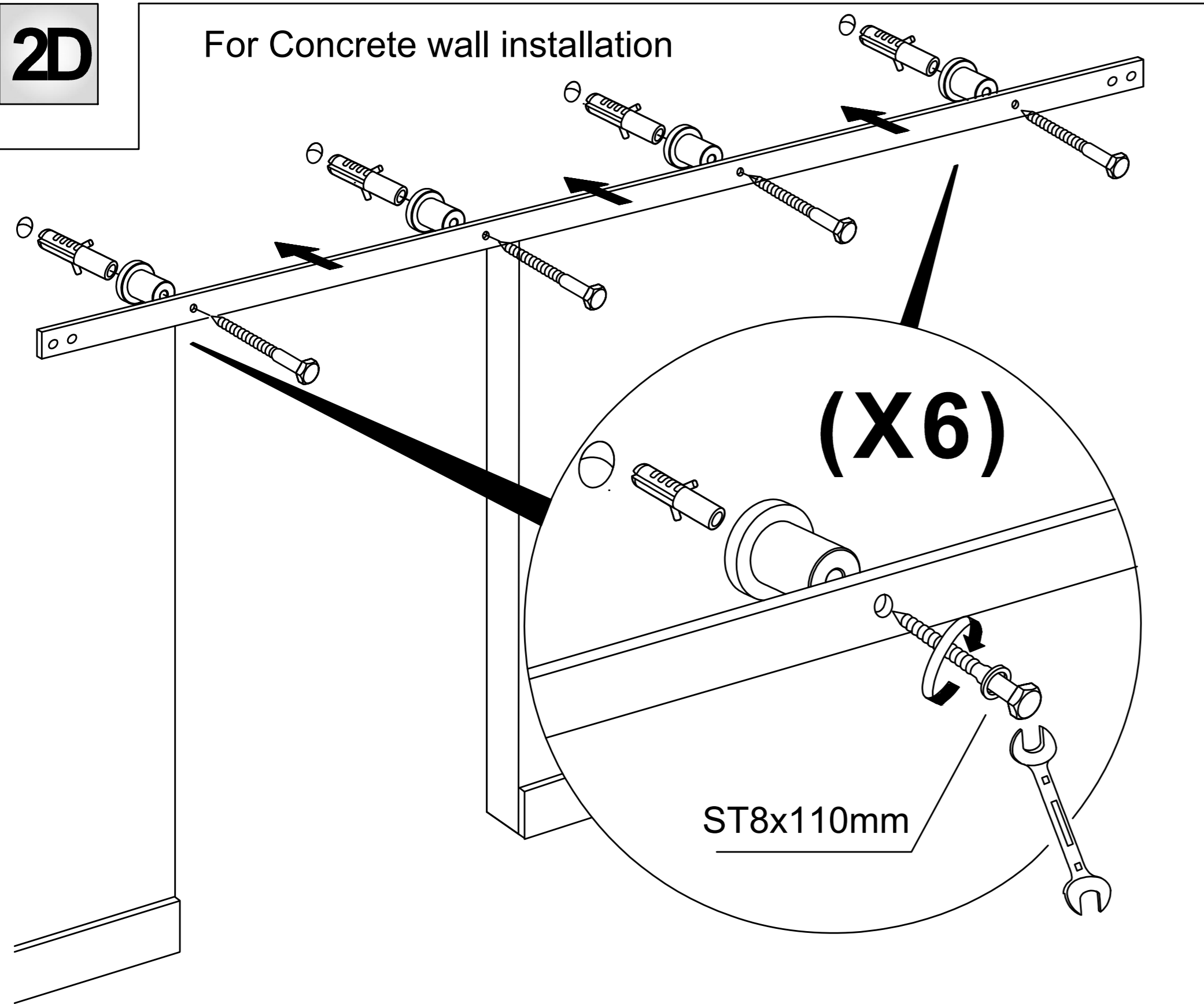
2C

For wood header track installation

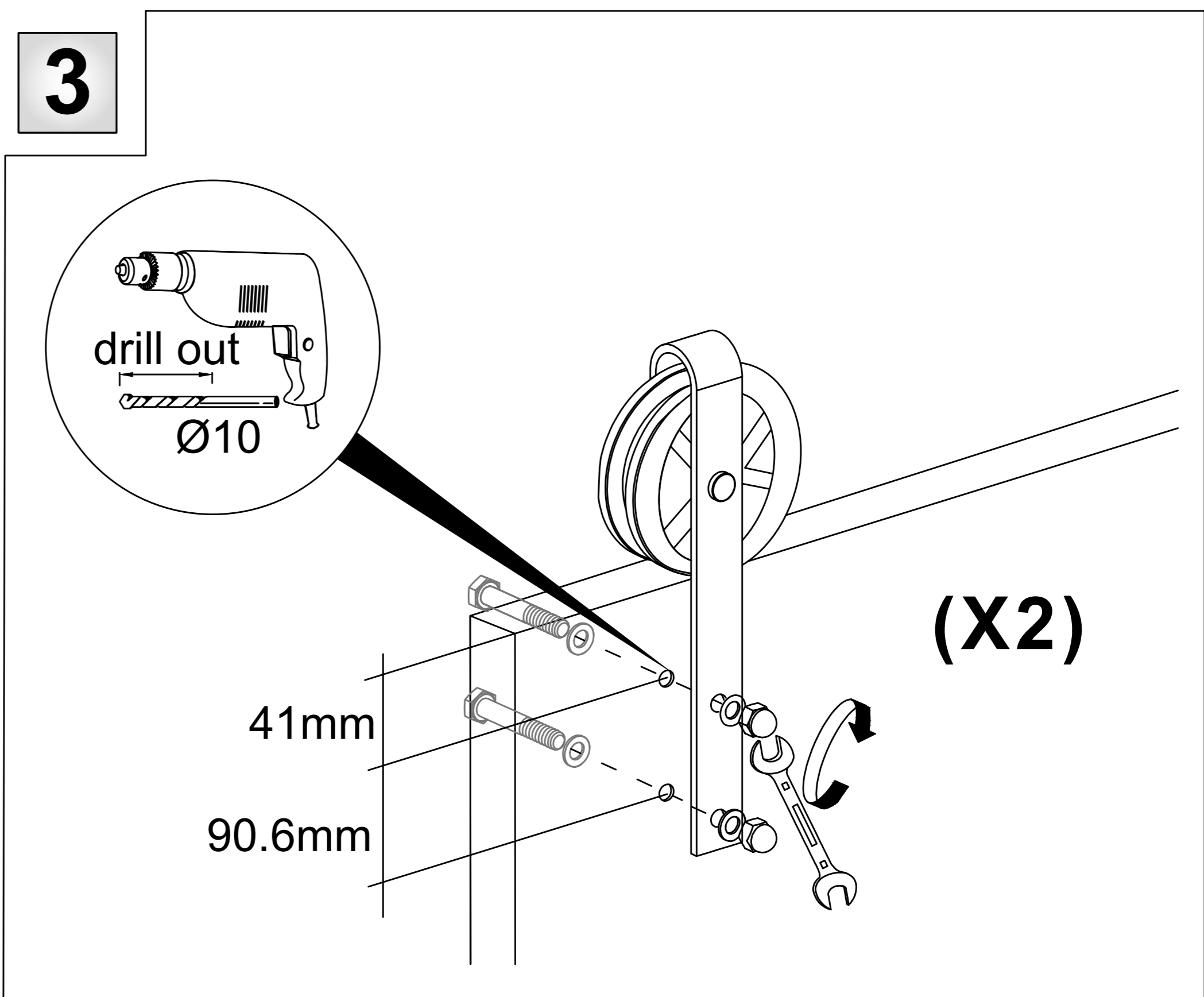


2D

For Concrete wall installation

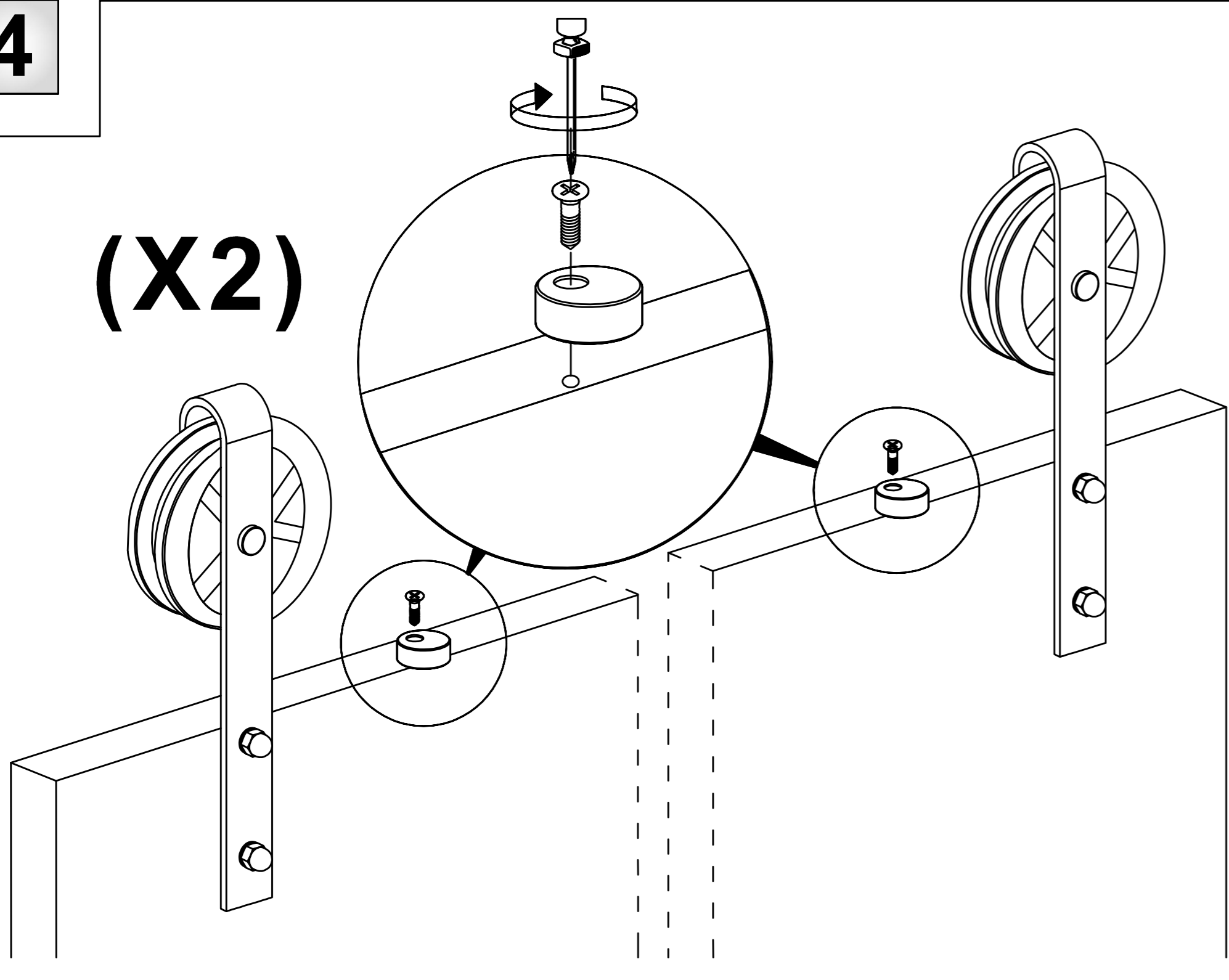


3



4

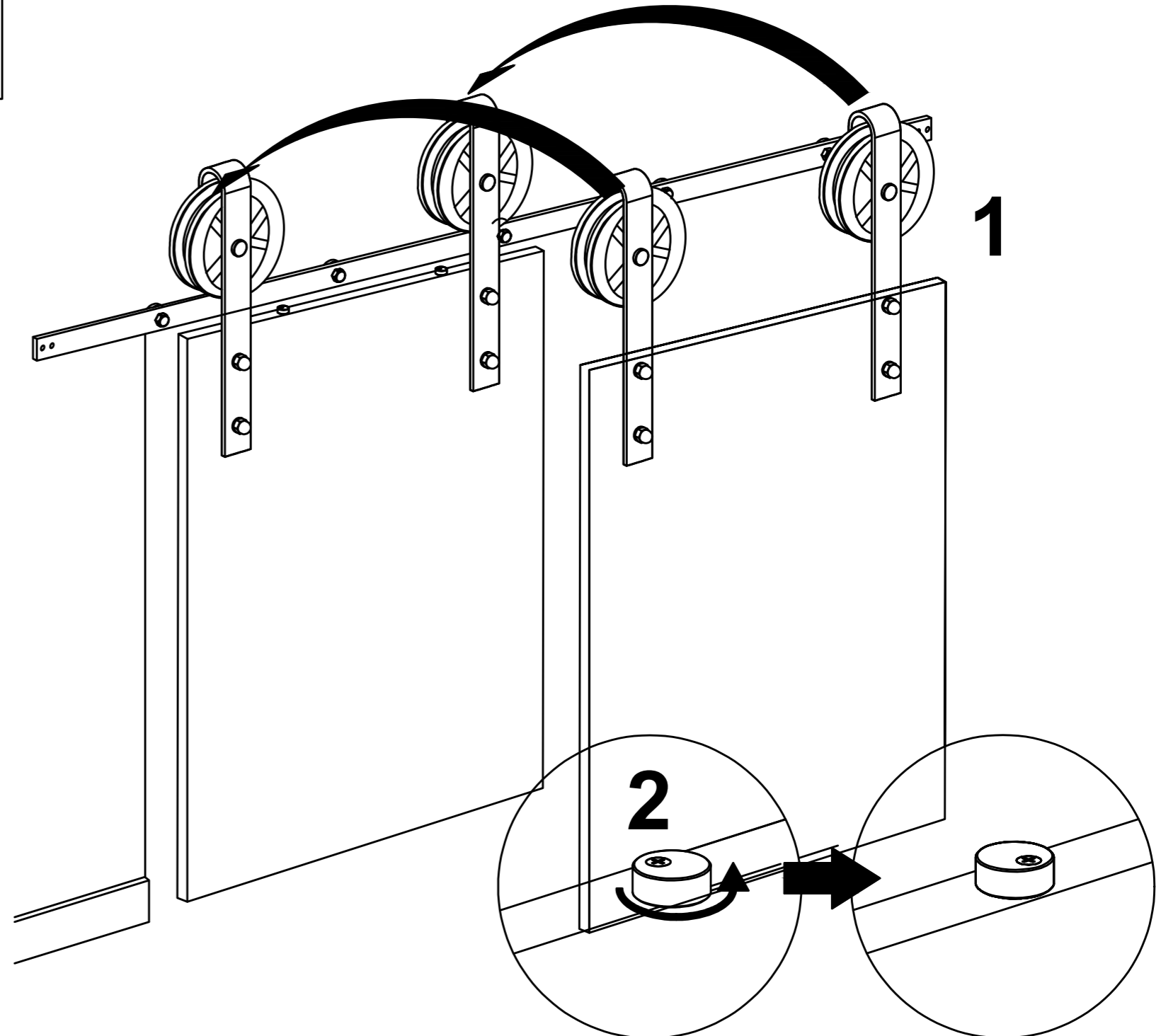
(X2)



5

1

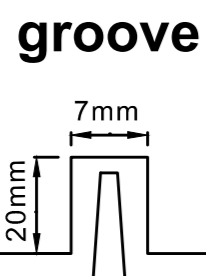
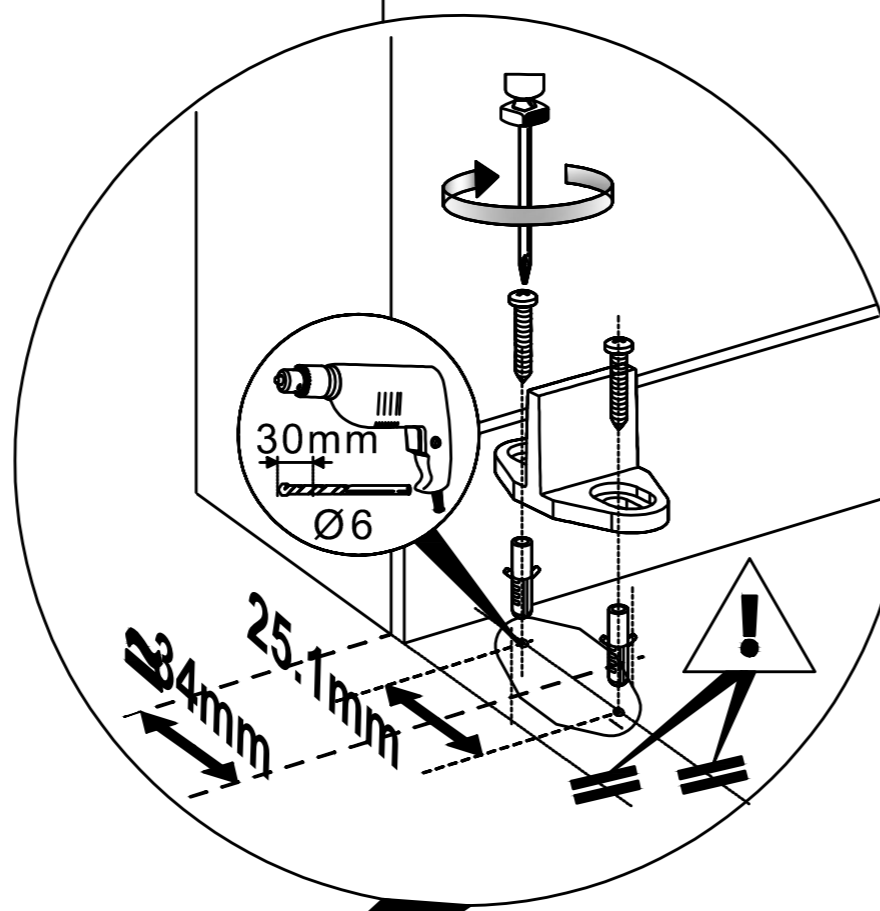
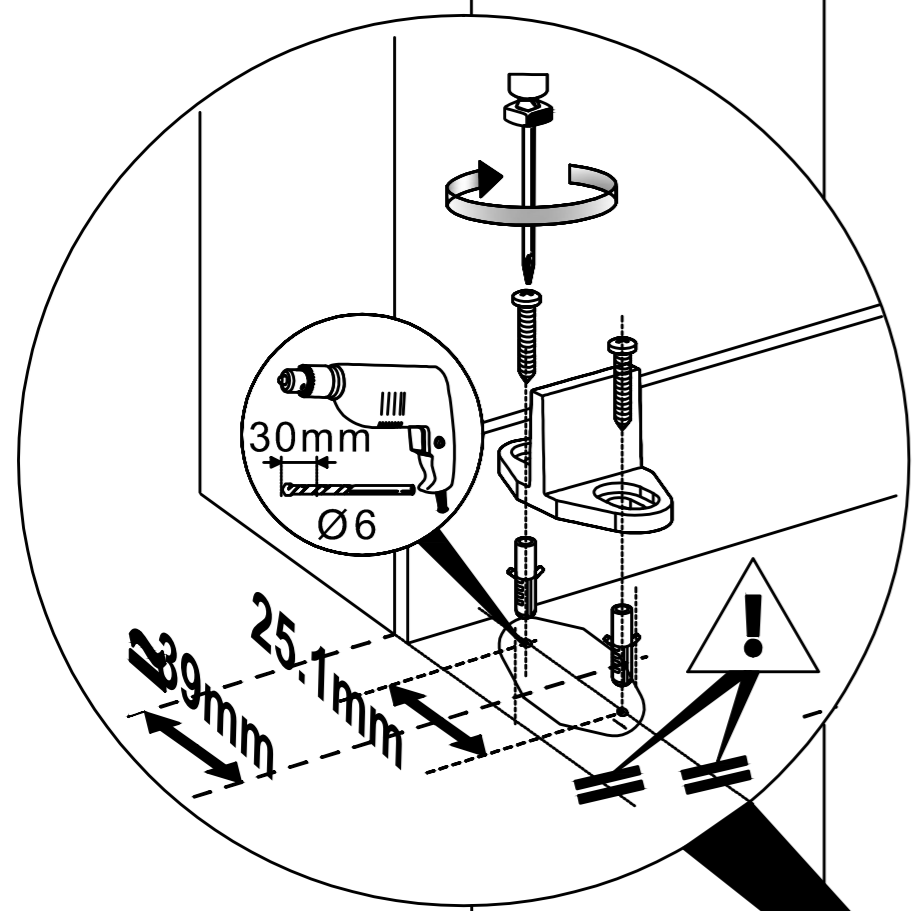
2



6A

thickness 35~40mm

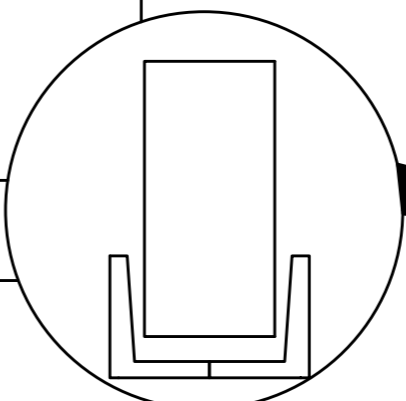
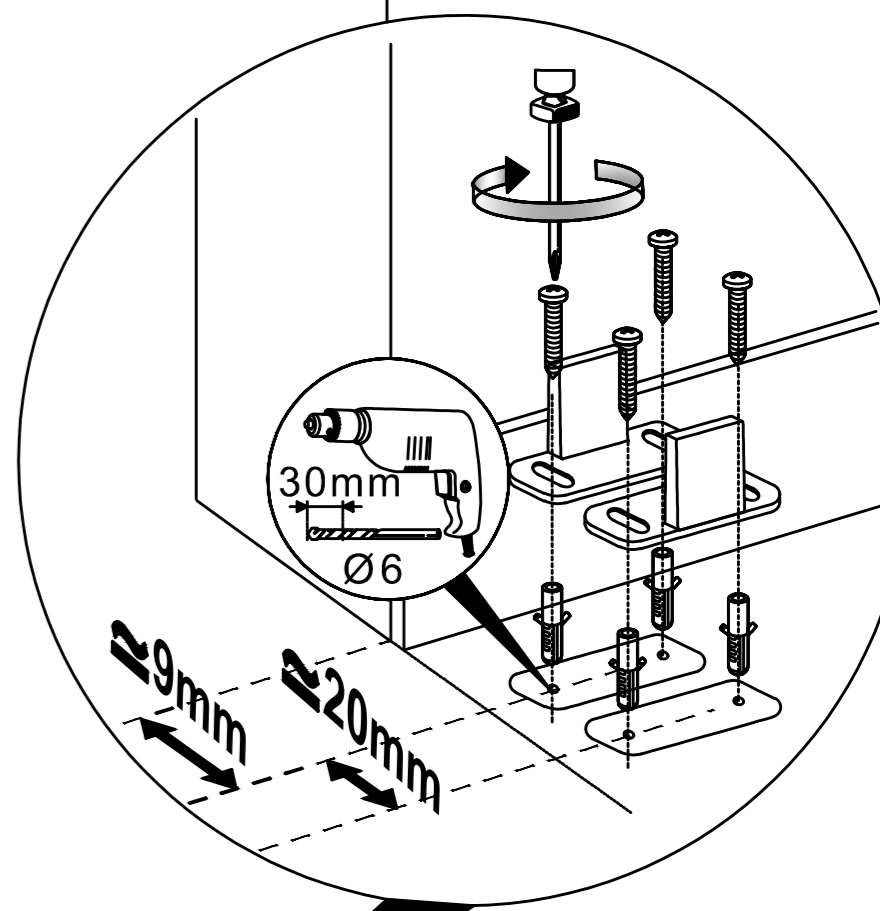
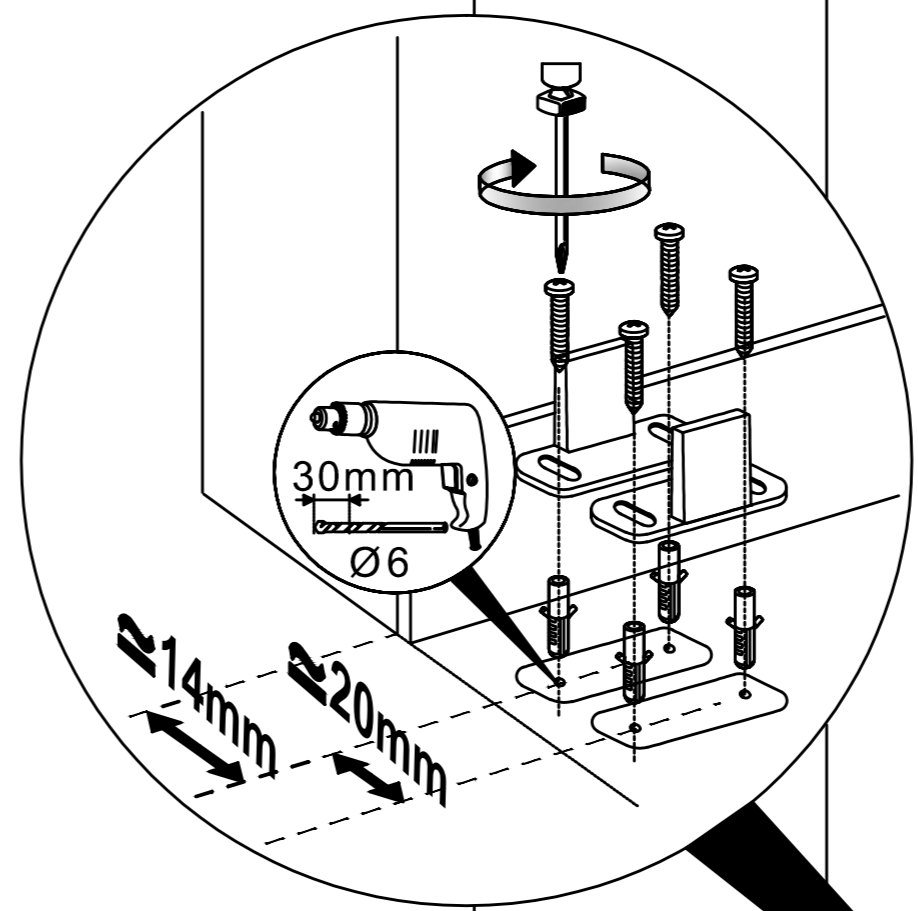
thickness 40~45mm



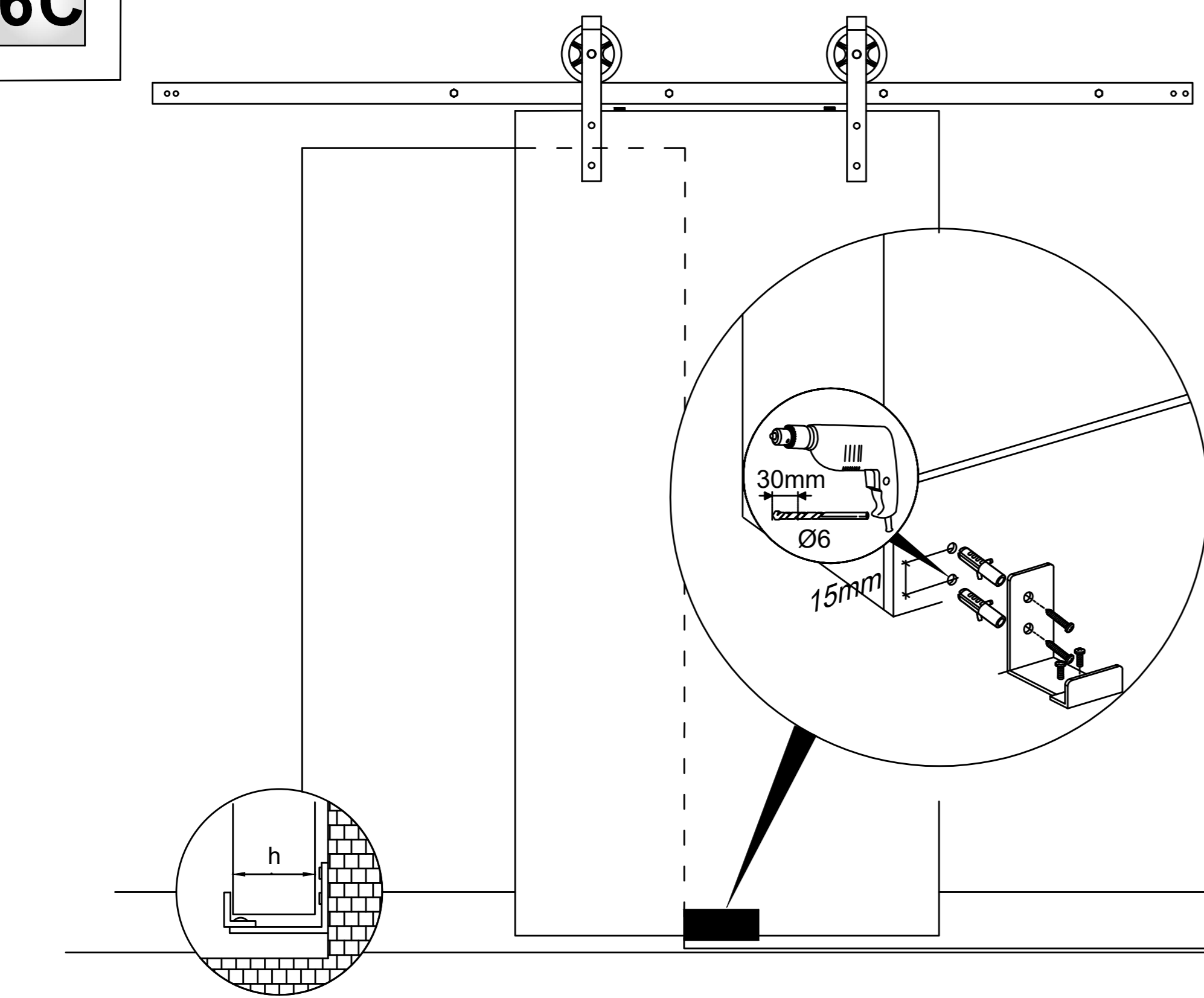
6B

thickness 35~40mm

thickness 40~45mm



6C



7

(X2)

