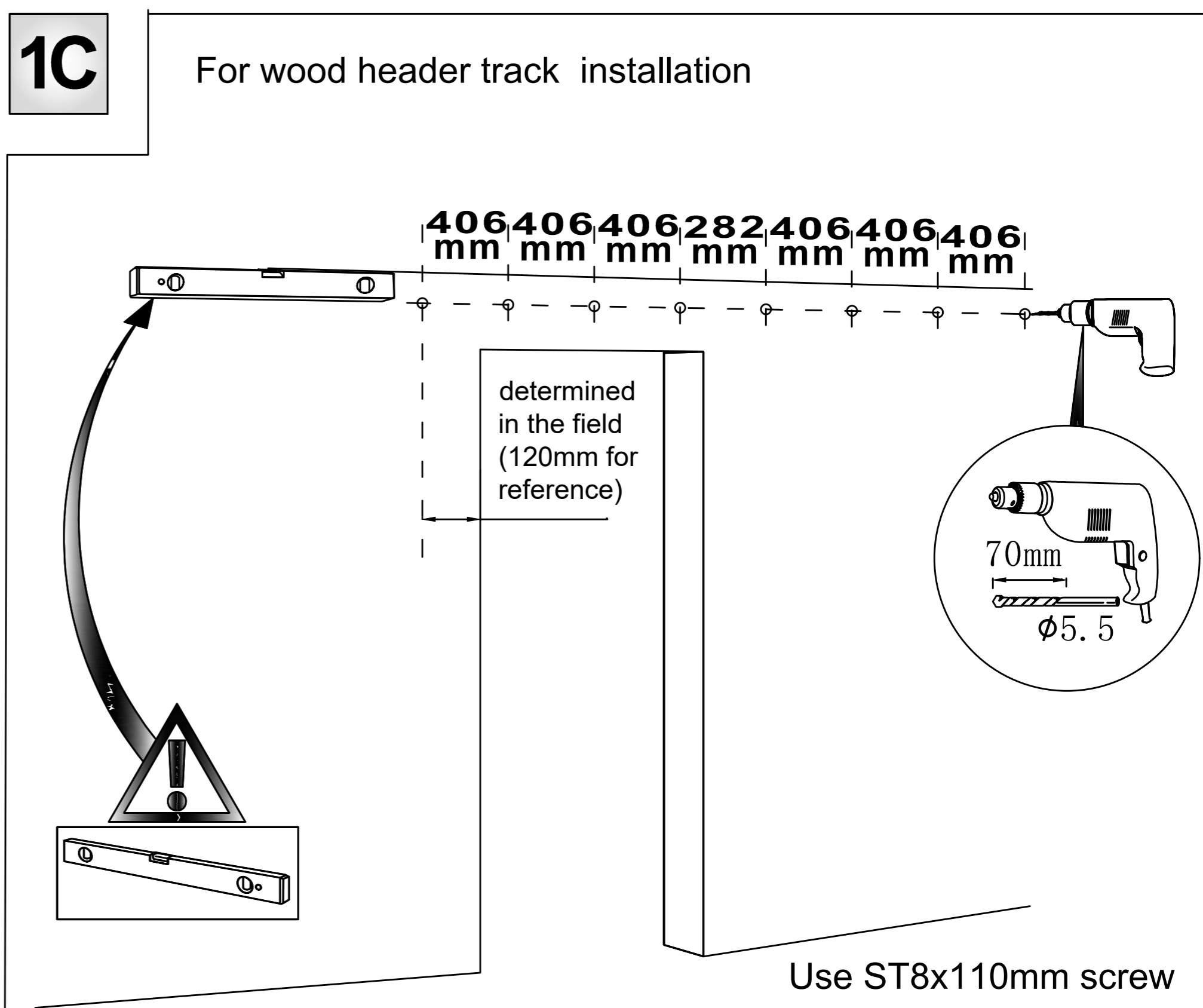
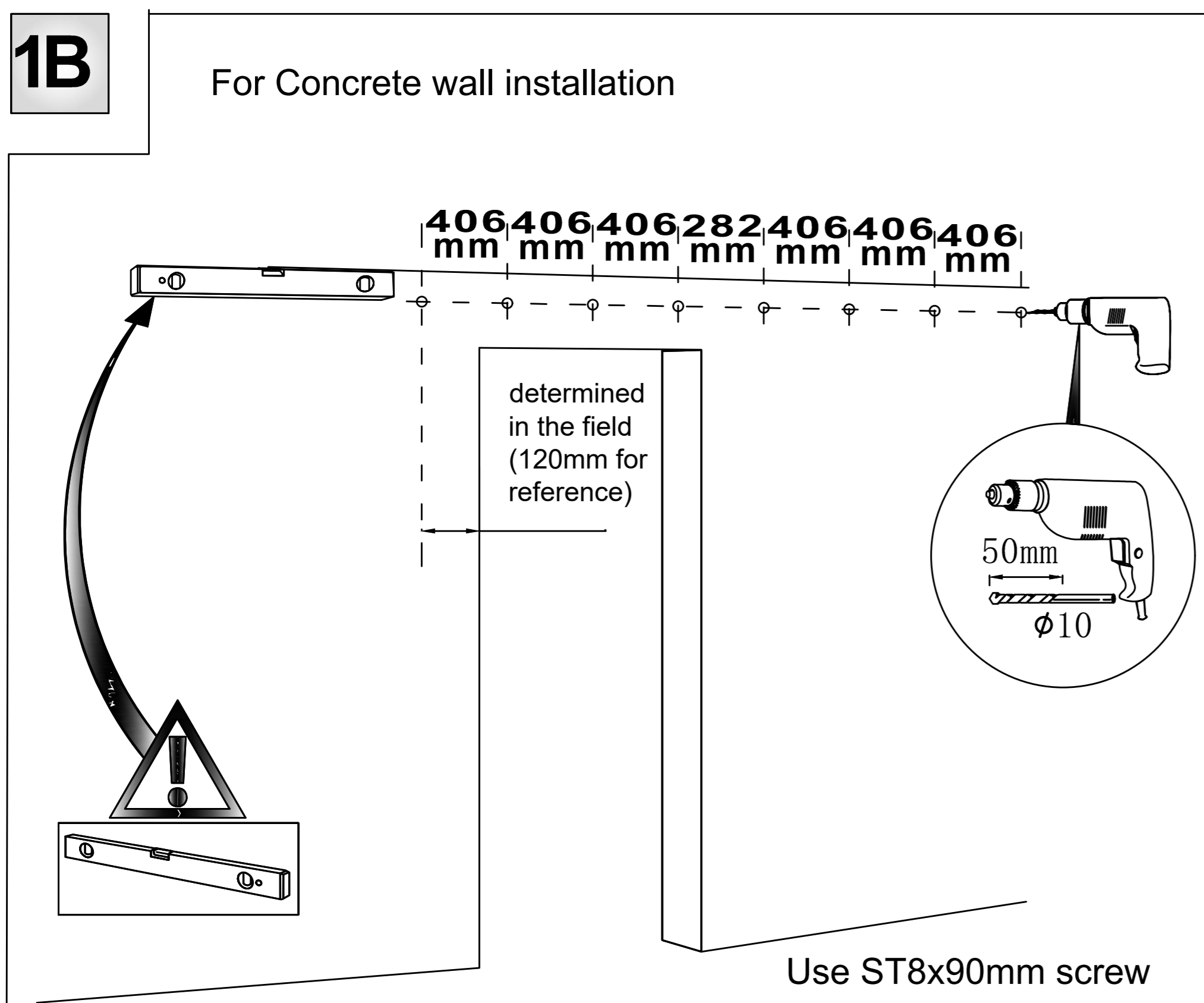
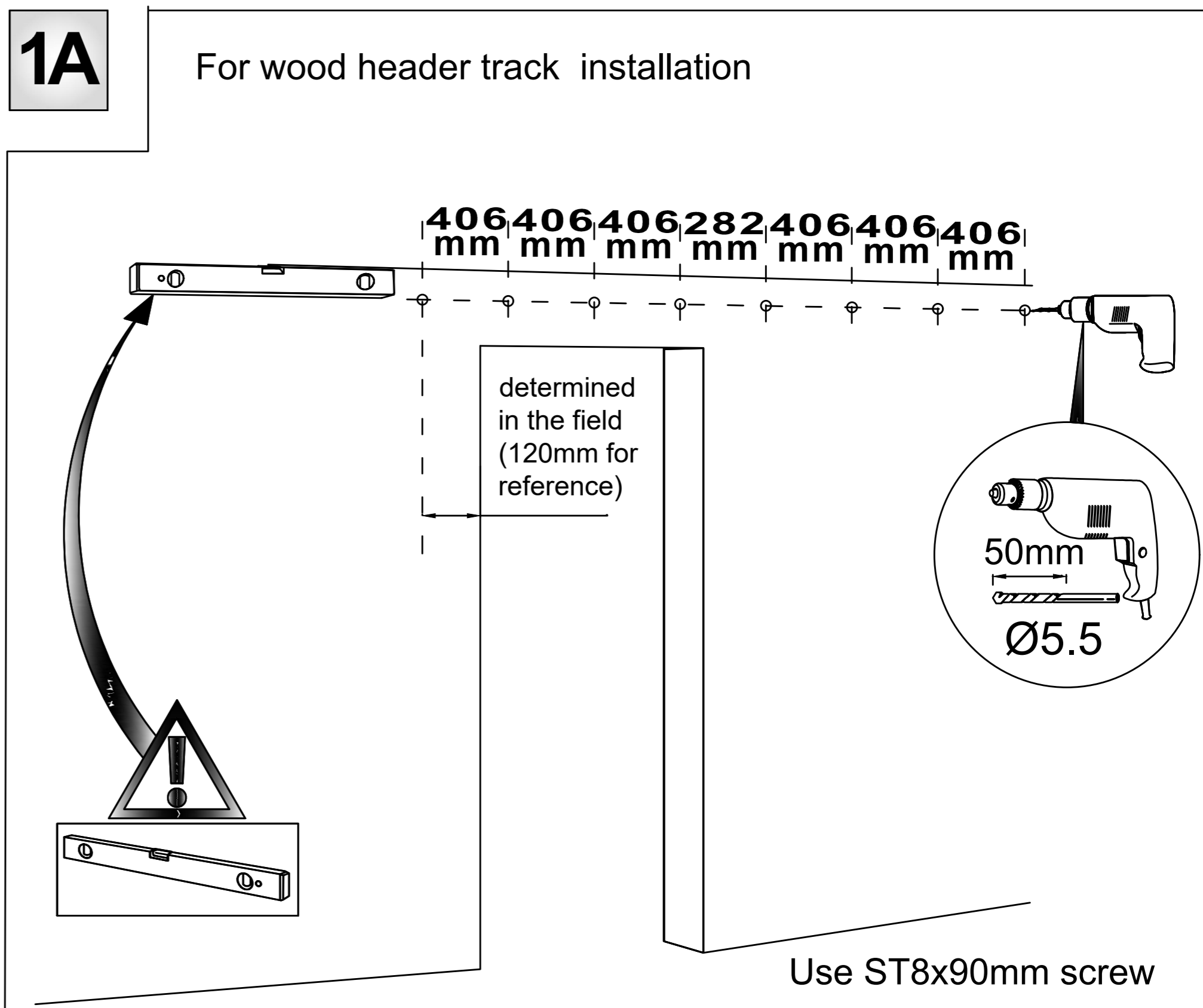
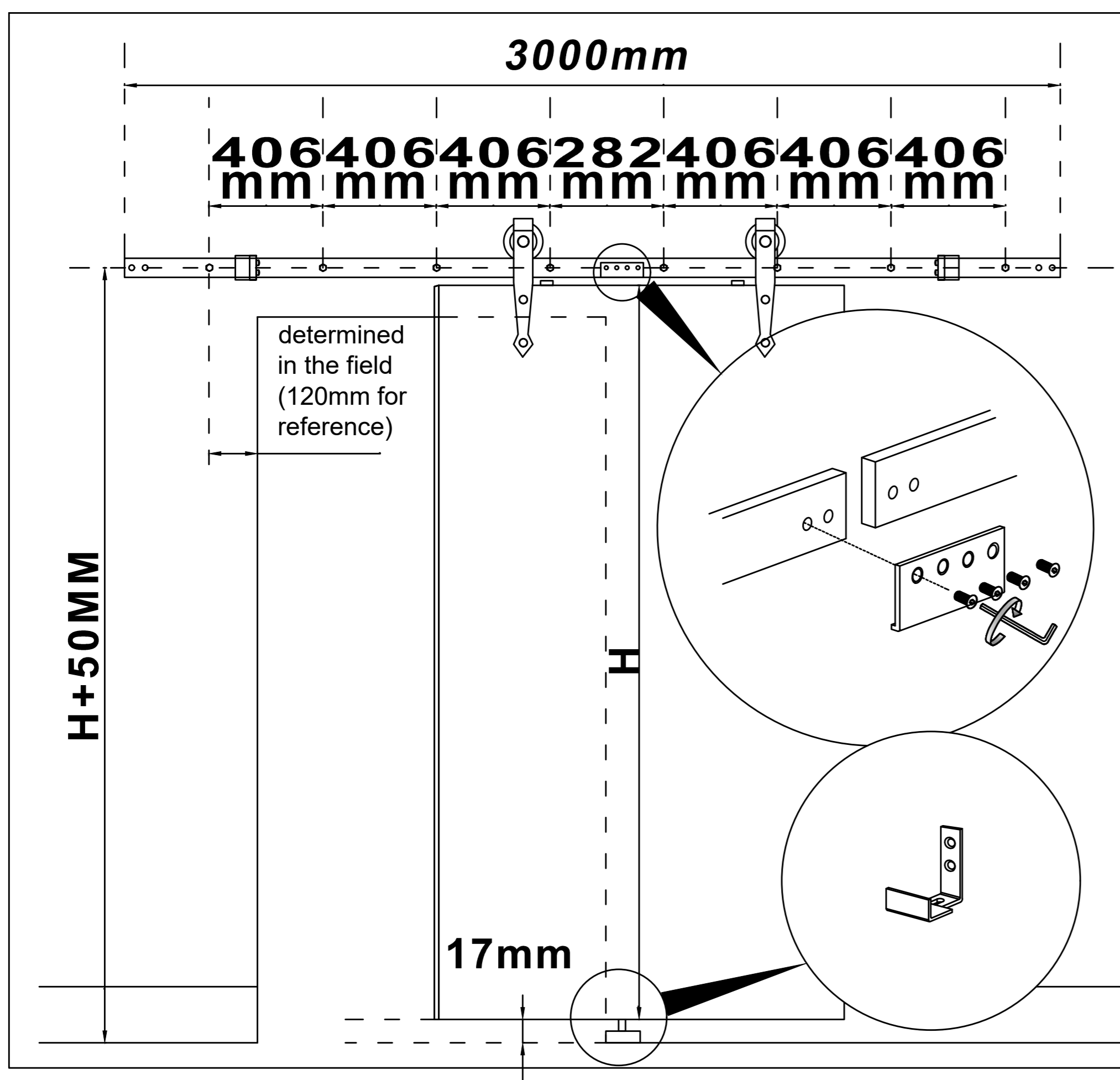
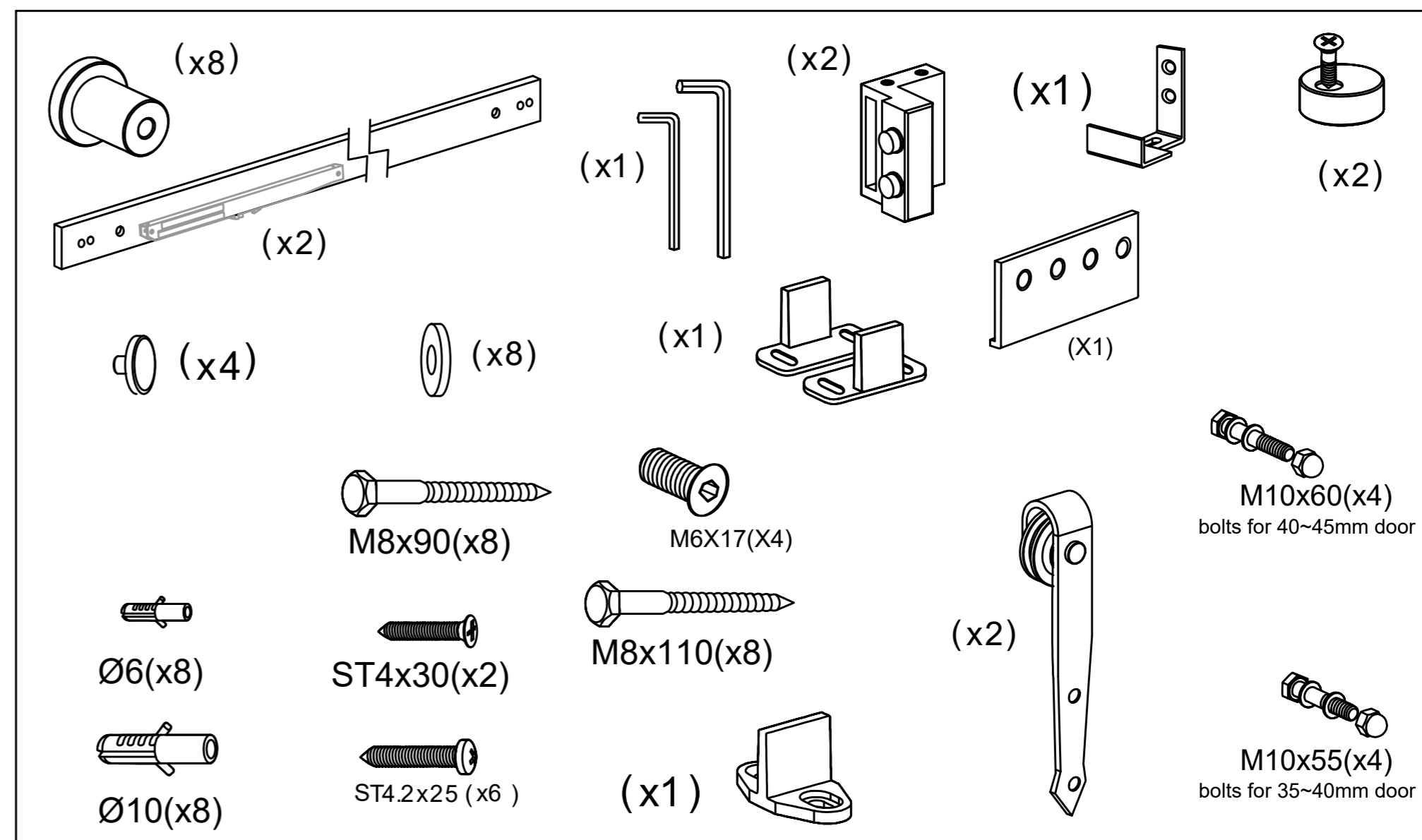
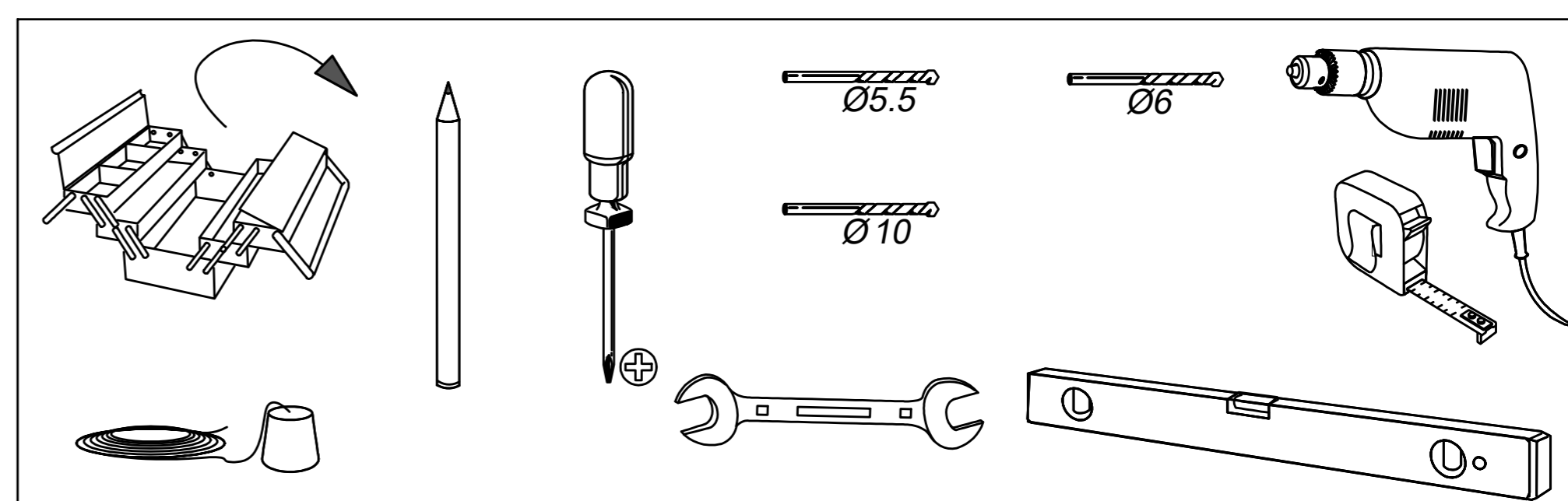
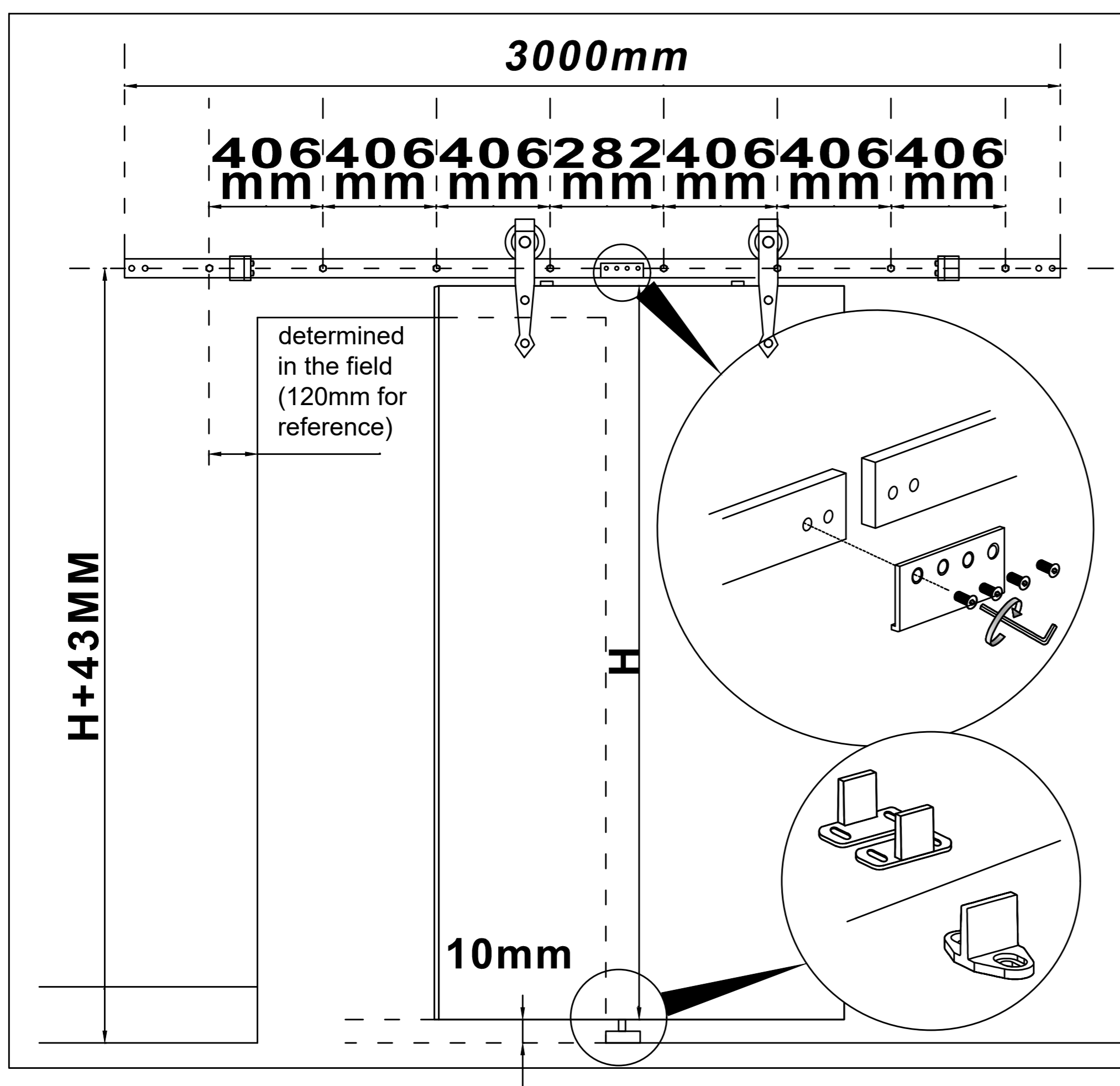


Installation Manual



1D

For Concrete wall installation

406 406 406 282 406 406 406
mm mm mm mm mm mm mm

determined
in the field
(120mm for
reference)

70mm

φ10

Use ST8x110mm screw

2A

For wood header track installation

(X8)

ST8x90mm

2B

For Concrete wall installation

(X8)

ST8x90mm

2C

For wood header track installation

(X8)

ST8x110mm

2D

For Concrete wall installation

(X8)

ST8x110mm

3

(X2)

drill out

φ10

40mm
90mm

