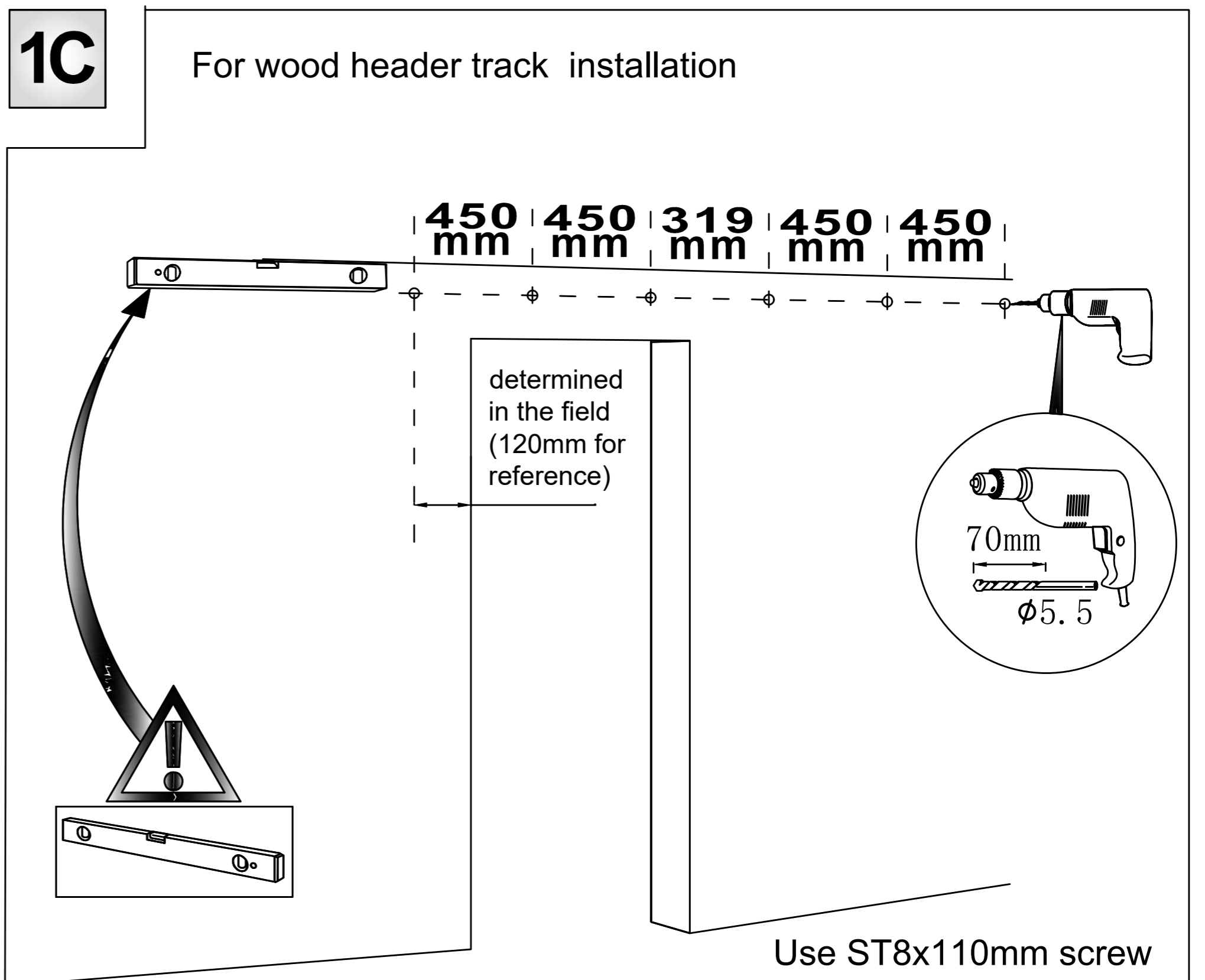
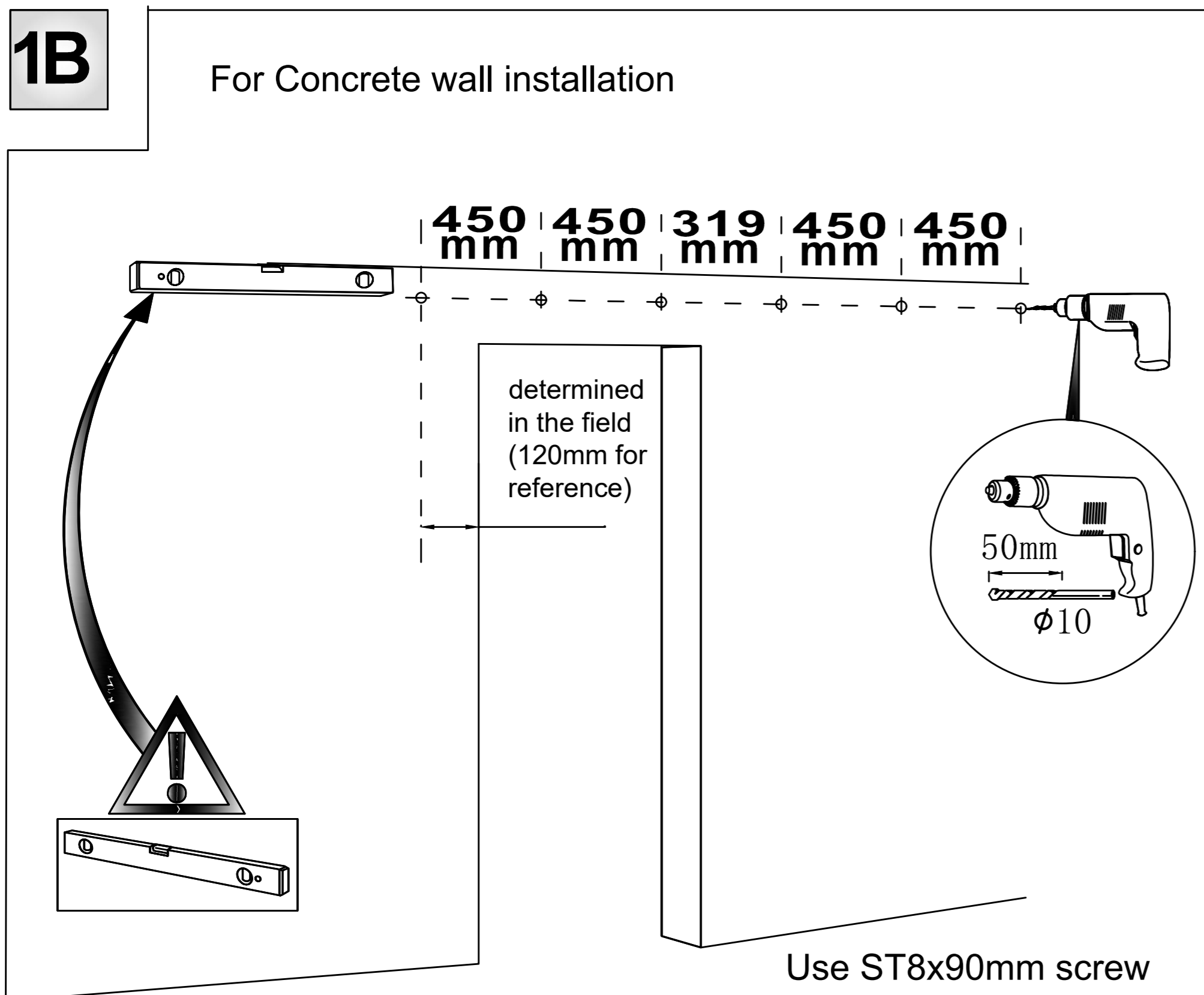
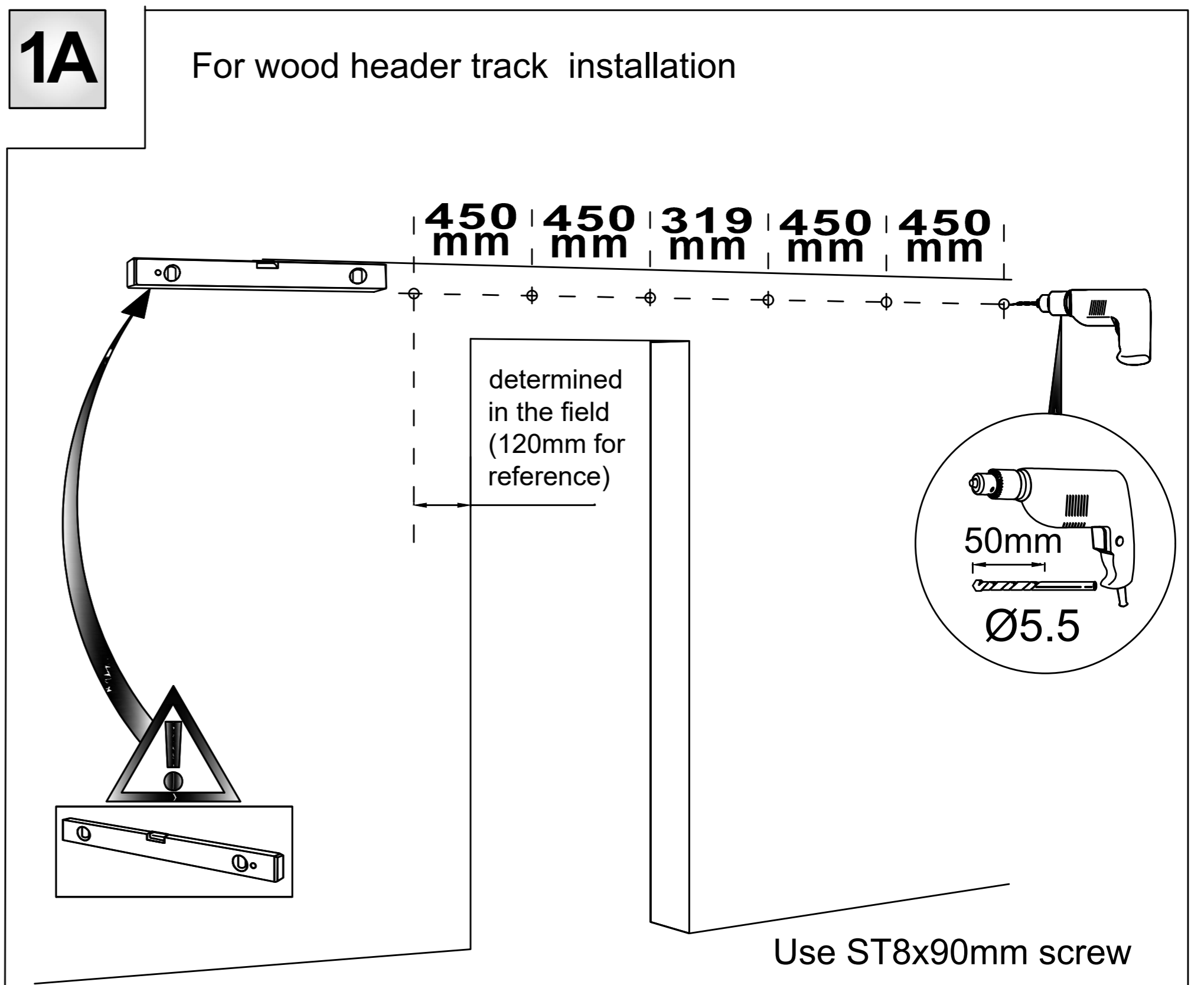
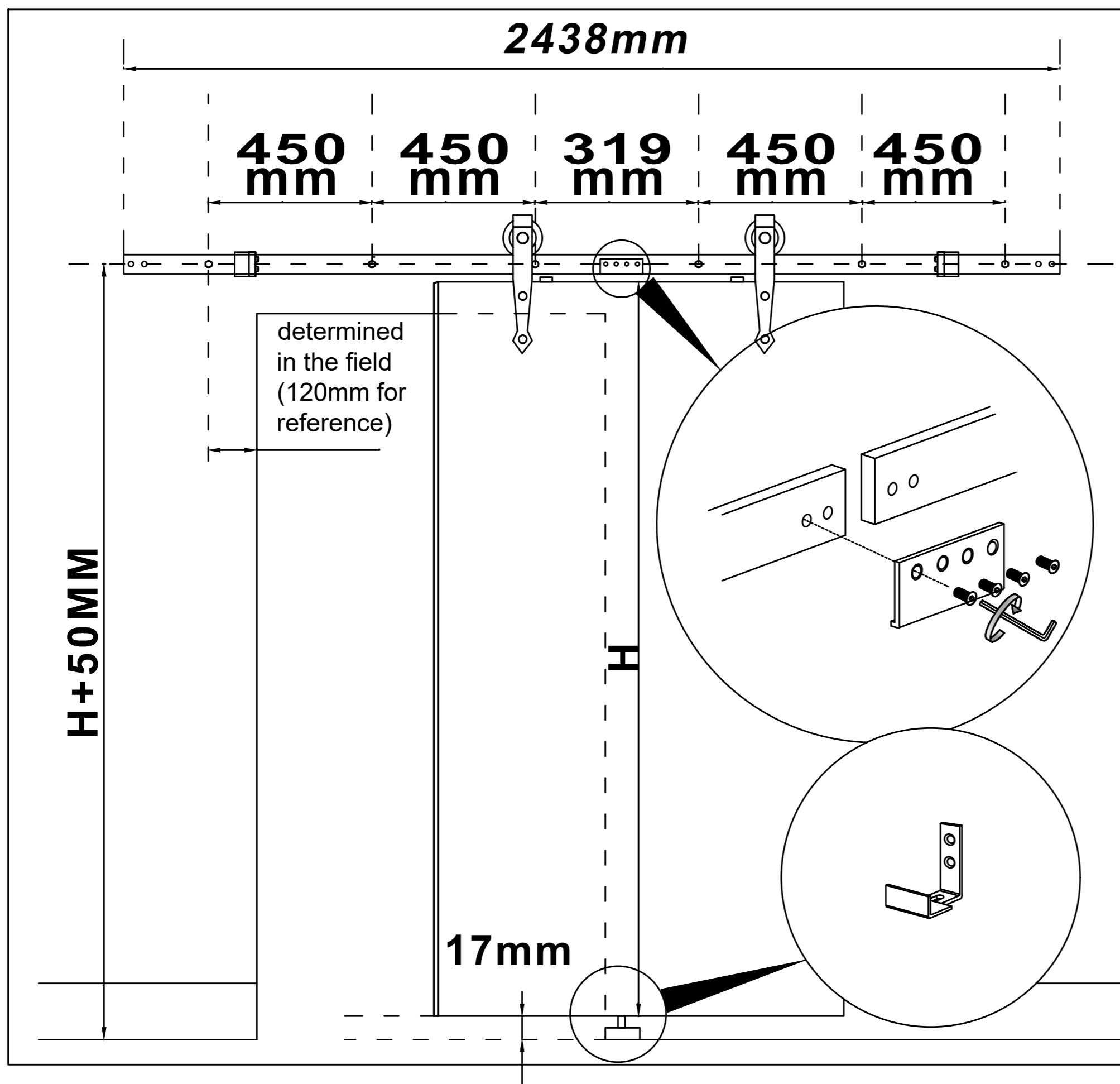
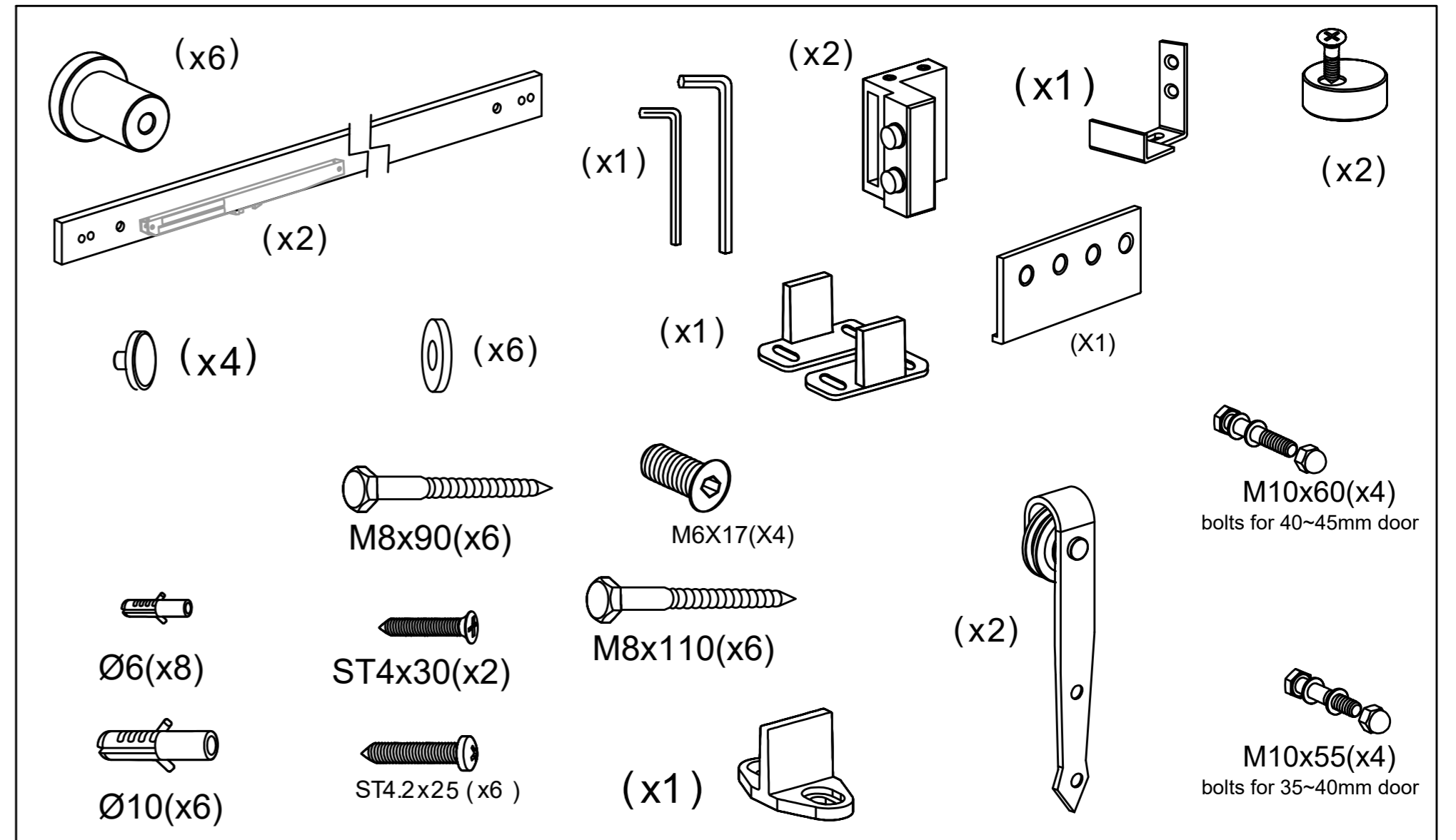
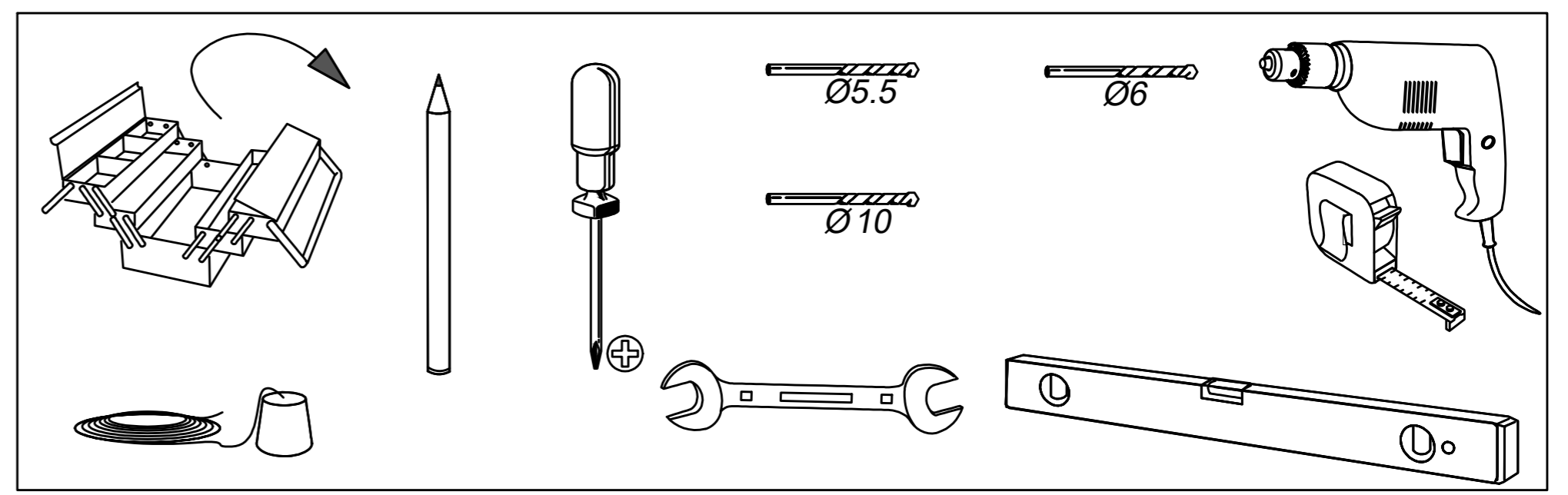
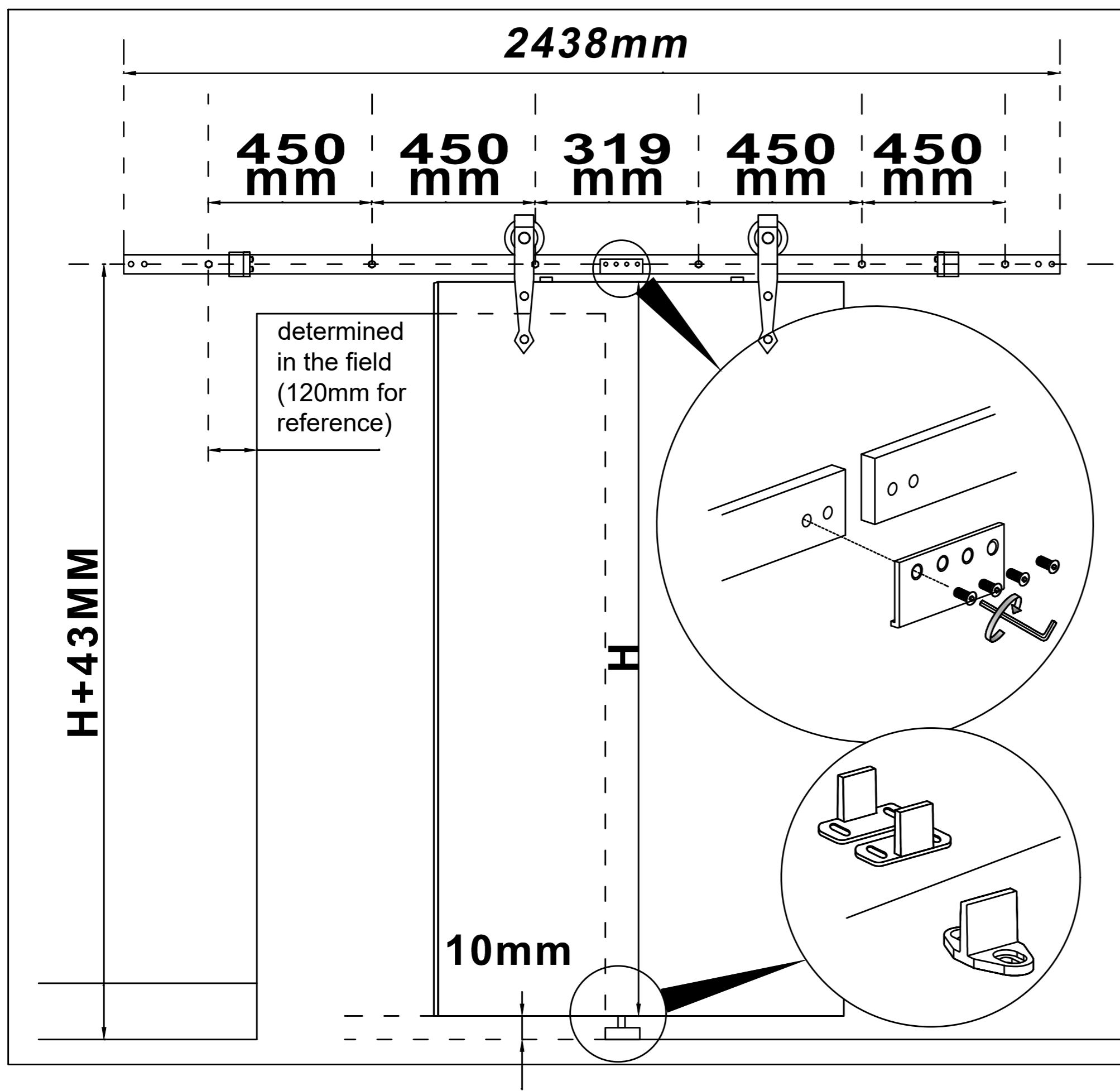


Installation Manual

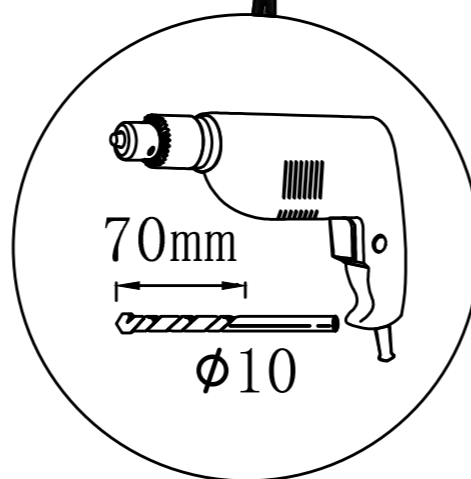


1D

For Concrete wall installation

450 mm | 450 mm | 319 mm | 450 mm | 450 mm

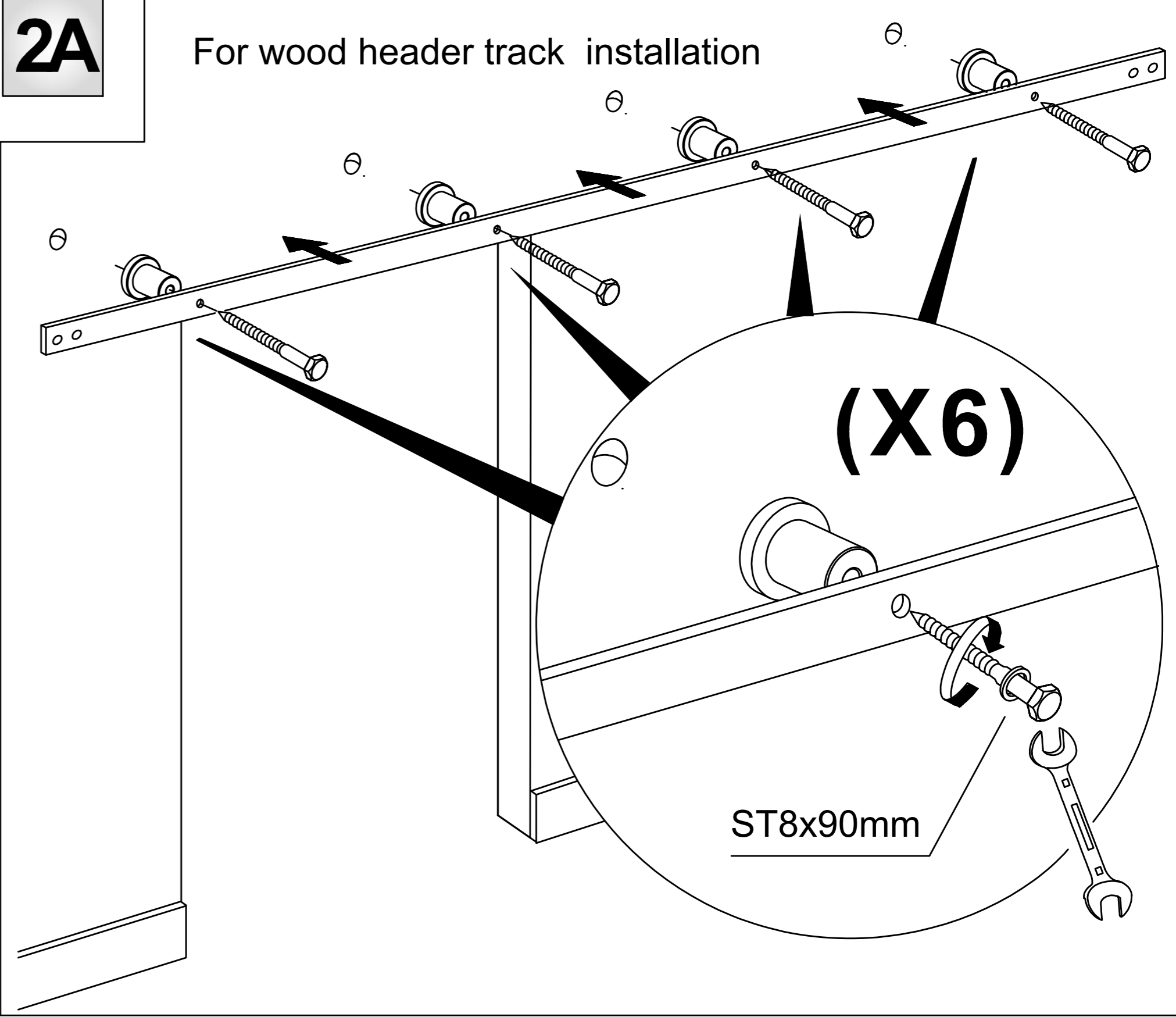
determined in the field (120mm for reference)



Use ST8x110mm screw

2A

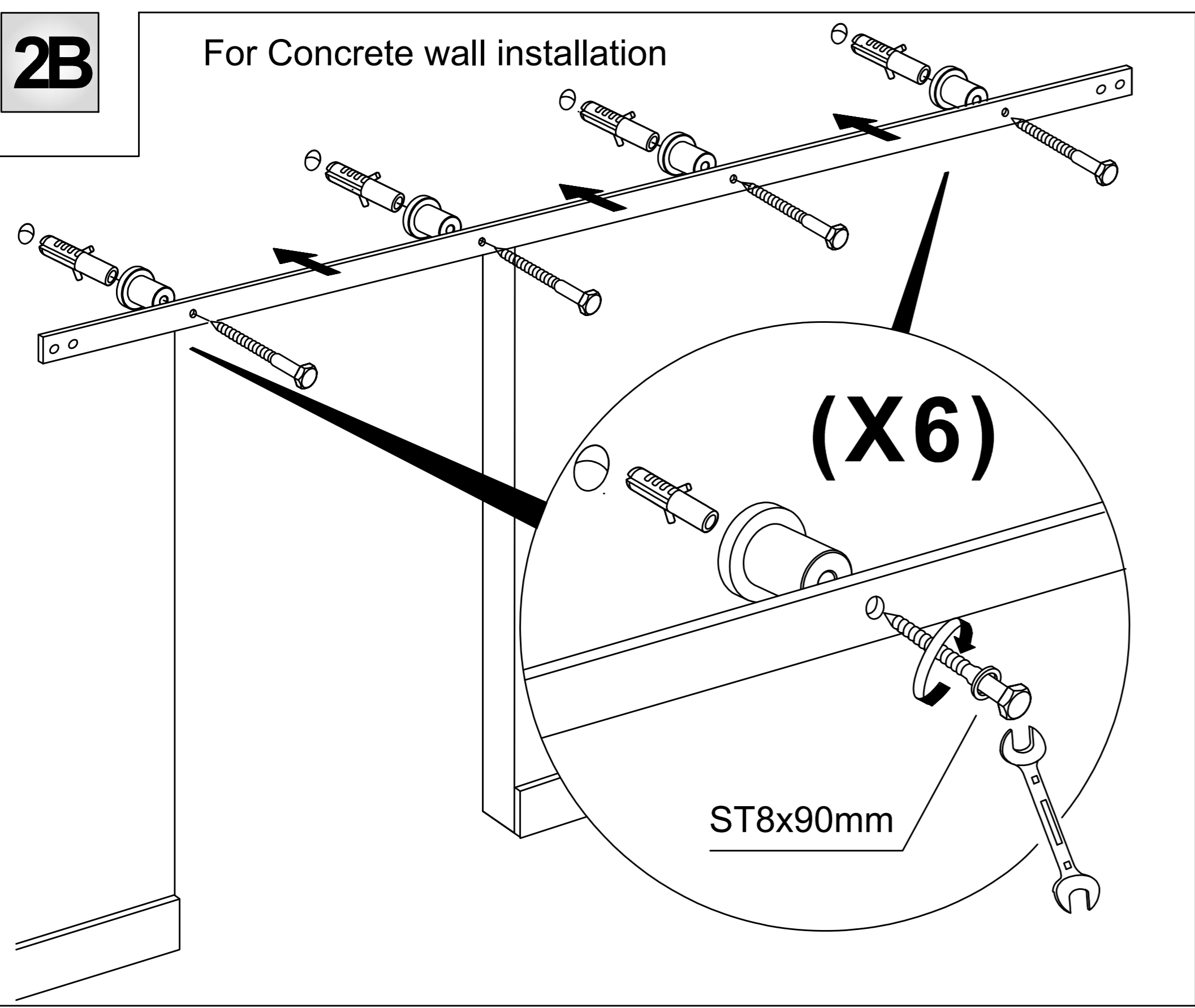
For wood header track installation



ST8x90mm

2B

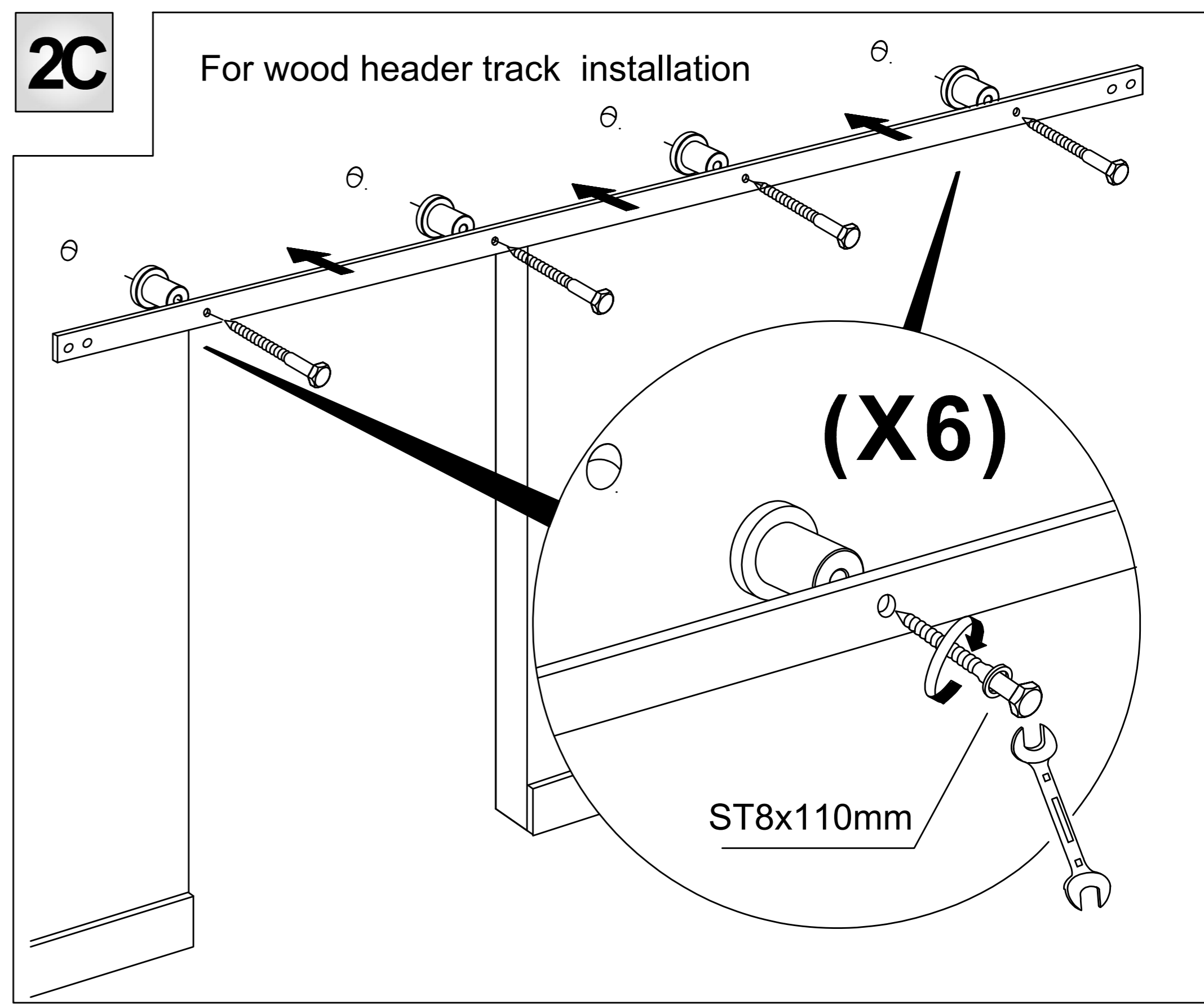
For Concrete wall installation



ST8x90mm

2C

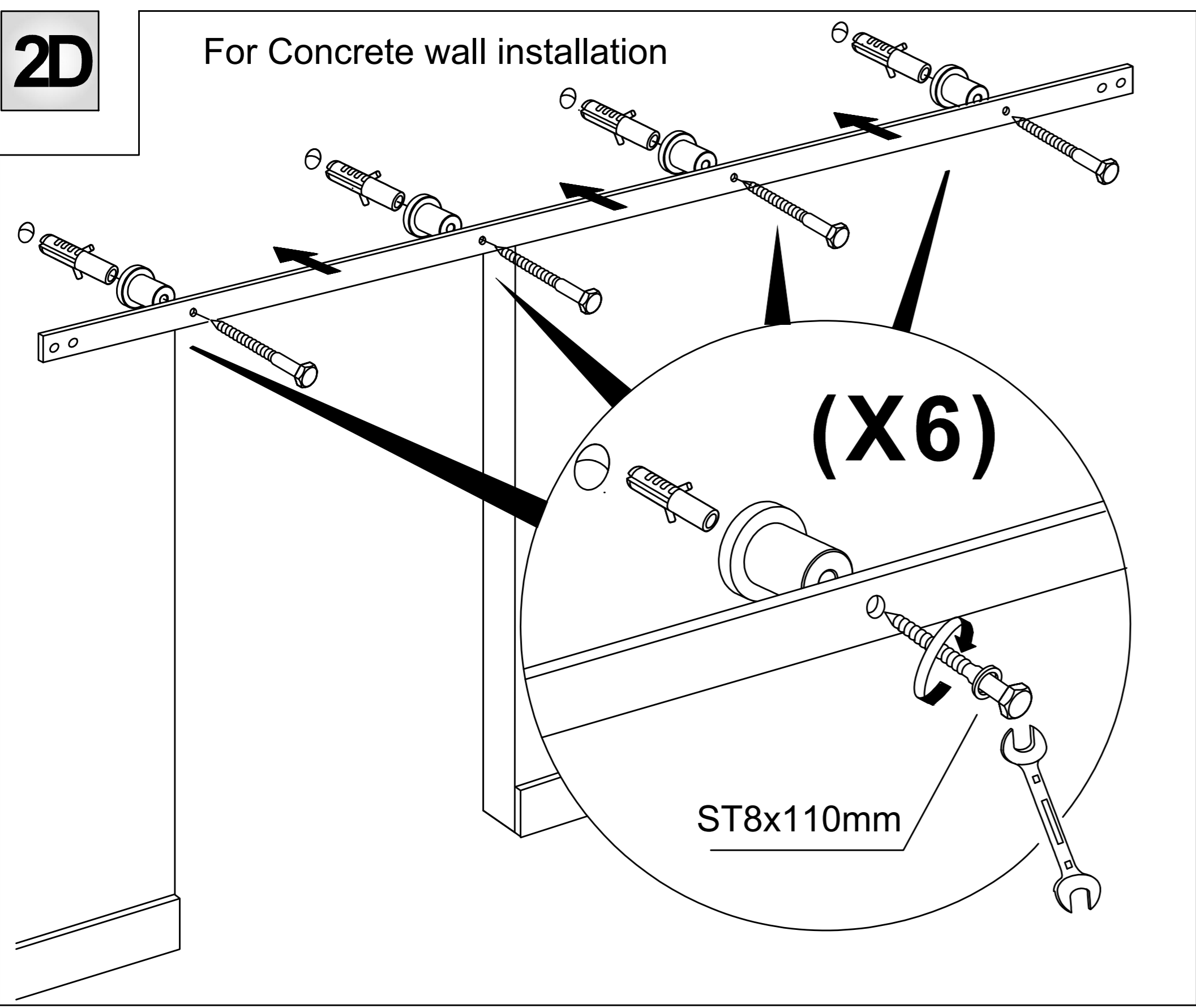
For wood header track installation



ST8x110mm

2D

For Concrete wall installation



ST8x110mm

3

(X2)

drill out
10mm

40mm
90mm

